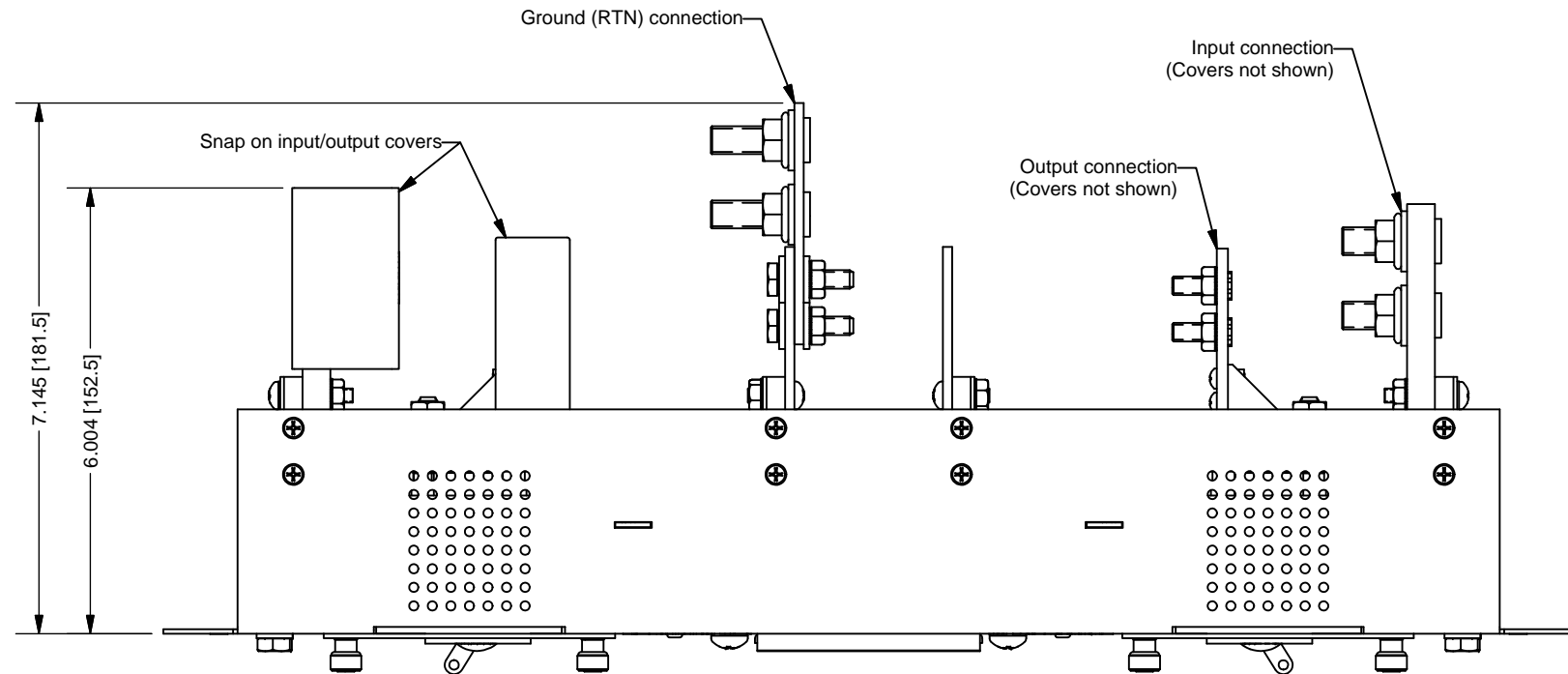


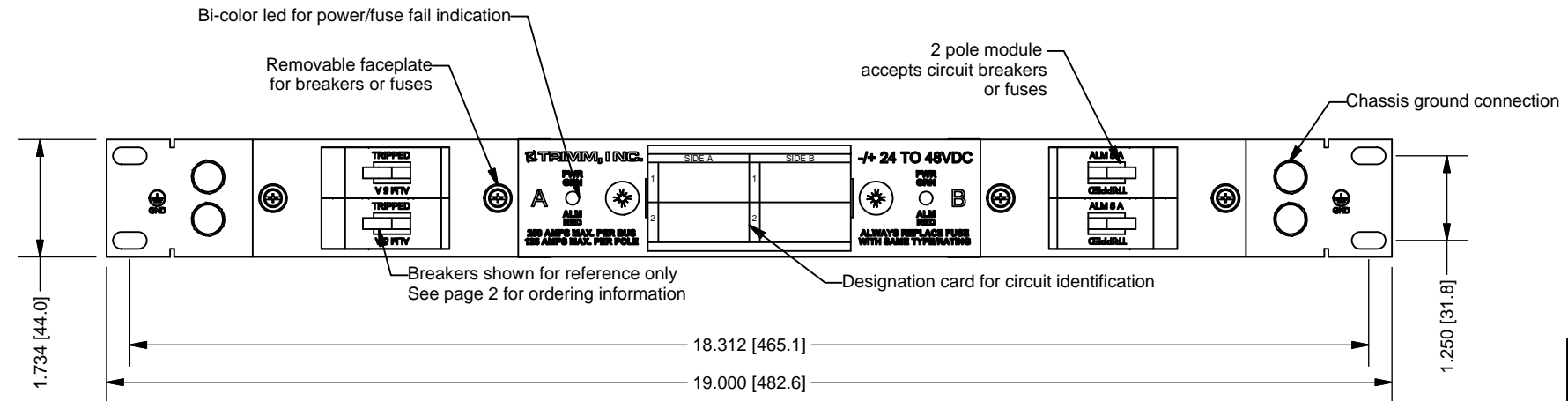
Remote alarm connection REAR VIEW ROTATED



7.145 [181.5]
6.004 [152.5]

Product Specifications: 9076101501 Breaker Panel			
Mechanical	Dimensions	19" W x 1.734" H x 7" D (w/ith GND adapter)	
	Rack Spaces	1 (1U)	
	Weight	8 Lbs. (w/ithout breakers)	
	Mounting	19" rack mount (23" adapters available)	
	Finish	Black powder coated steel	
Electrical	Input	Voltage	-/+ 24 TO 48 VDC
		Number of Buses	2
		Current	250 Amps max per bus
		Interrupt Device Rating	312.5 Amps max.
	Output	Single Pole/Dual Pole	Up to 125 Amps/250 Amps
Continuous Load Rating		100 Amps/200 Amps	
Connections	Input	2 Hole Compression Lugs	3/8" stud x 1" center-center spacing
		Wire Range	Up to 750 MCM
		Max. Terminal Width	1.250" maximum
	Output	2 Hole Compression Lugs	1/4" stud x 5/8" center-center spacing
		Wire Range	Up to 2/0 AWG (90 Deg. required)
Earthing (Chassis GND)	2 Hole Compression Lugs	1/4" stud x 5/8" center-center spacing	
	Wire Range	Up to 2/0 Aw g (.750" max. width)	
Environment	Short Term Operating Temperature	-5° C to +55° C	
	Max. Recommended Ambient	Up to +25° C	
	Storage Temperature	-40° C to +70° C	
	Relative Humidity	0-95% noncondensing	
Alarming	Indicators	Bi-color led Green (power) Red (alarm)	
	Alarm Capability	Form "C" contacts 1 set for breaker failure	
	Connection Type	Set Screw (12 to 30 Aw g)	
Standards	Safety (Recognized)	UL 60950-1, UL 1801, CSA C22.2 No. 60950-1	
		EN 60950-1, IEC 60950-1	
	Telcordia (NEBS)	NEBS Level 3 Certified	

Whats included: 4 x #12-24 rack mounting screws, input/output connection hardware (locking nuts), chassis ground connection hardware (bolts and locking washers), ground bus adapter.



1.734 [44.0]
18.312 [465.1]
19.000 [482.6]
1.250 [31.8]

NOTES:
1-Dimensions are in Inches [mm].
2-See page 2 for fuse and circuit breaker ordering information.

The information on this document is proprietary information that is property of Trimm, inc. and shall not be reproduced or its contents disclosed in any manner whatsoever without the express written consent from Trimm, Inc. Due to continuous product development, specifications may change from those listed. Call Trimm, inc. for information

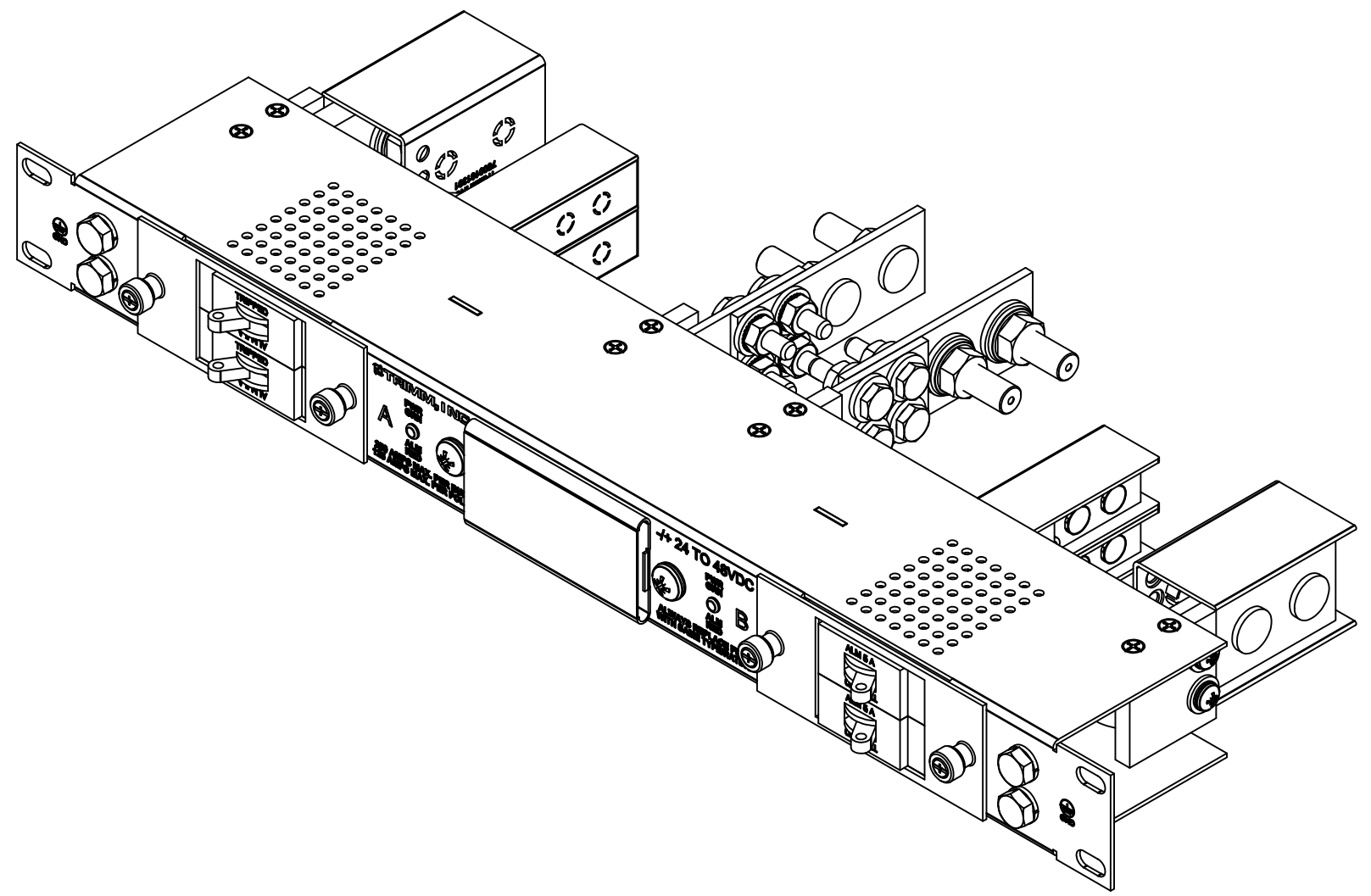
TOLERANCES:		-/+ .015 ON OVERALL PART SIZE, -/+ .010 FROM ANY BEND TO THE CENTERLINE OF ANY HOLE OR CUTOUT, -/+ .005 FROM CENTERLINE TO CENTERLINE ON ANY HOLE OR CUTOUT	
APPROVED BY:	DRAWN BY:	DATE:	REV.
	BRIAN BURCH	08/24/07	B
		SIZE:	DESCRIPTION:
		B	BREAKER PANEL 1U 2A/2B -/+24TO48VDC
		FILE CODE:	DRAWING NUMBER:
		907m	9076101501
		TRIMM, INC. 407 RAILROAD ST. BUTNER, NC. PHONE: 1-800-298-7466 FAX: 1-919-575-6200	
			PAGE: 1

907 FAMILY FUSE PANEL ACCEPTED FUSE AND CIRCUIT BREAKER TYPES

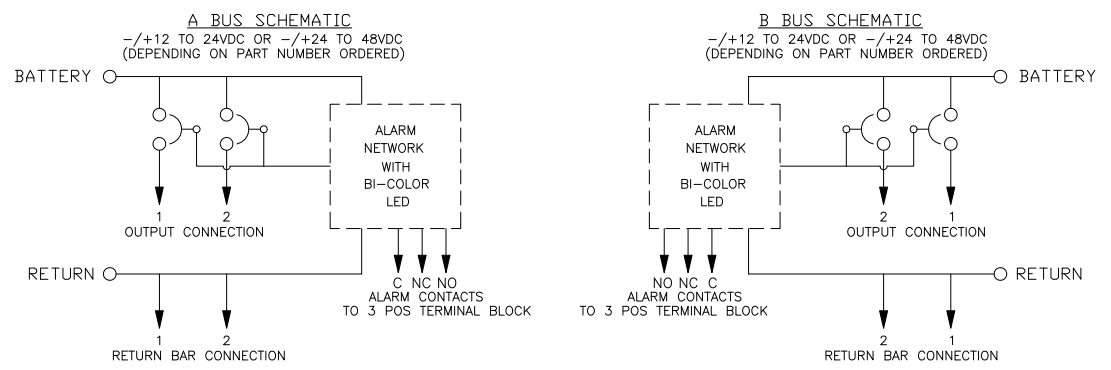
2 POSITION DISCONNECT BUS FUSES/CIRCUIT BREAKERS

TPC FUSES		TPS FUSES		TLS FUSES	
Uses TPCDS fuse holder part number 0300108180 (order separately)		Uses TFD fuse holder part number 0300108380 (order separately)		Uses TFD fuse holder part number 0300108380 (order separately)	
PART NUMBER	DESCRIPTION	PART NUMBER	DESCRIPTION	PART NUMBER	DESCRIPTION
0300360003	3 AMP	0300350001	1 AMP	0300390001	1 AMP
0300360004	4 AMP	0300350002	2 AMP	0300390003	3 AMP
0300360005	5 AMP	0300350003	3 AMP	0300390005	5 AMP
0300360006	6 AMP	0300350005	5 AMP	0300390006	6 AMP
0300360007	7 AMP	0300350006	6 AMP	0300390010	10 AMP
0300360008	8 AMP	0300350010	10 AMP	0300390015	15 AMP
0300360010	10 AMP	0300350015	15 AMP	0300390020	20 AMP
0300360012	12 AMP	0300350020	20 AMP	0300390025	25 AMP
0300360015	15 AMP	0300350025	25 AMP	0300390030	30 AMP
0300360020	20 AMP	0300350030	30 AMP	0300390035	35 AMP
0300360025	25 AMP	0300350035	35 AMP	0300390040	40 AMP
0300360030	30 AMP	0300350040	40 AMP	0300390050	50 AMP
0300360040	40 AMP	0300350050	50 AMP	0300390060	60 AMP
0300360050	50 AMP	0300350060	60 AMP	0300390070	70 AMP
0300360060	60 AMP	0300350070	70 AMP	0300390080	80 AMP
0300360075	75 AMP	CIRCUIT BREAKERS		0300390090	90 AMP
0300360090	90 AMP	PART NUMBER	DESCRIPTION	0300390100	100 AMP
0300360100	100 AMP	030017760A	5 AMP	0300390125	125 AMP
0300360125	125 AMP	030017760B	7.5 AMP	2 POLE BREAKERS*	
2 POLE TPW FUSES*		030017760C	10 AMP	PART NUMBER	DESCRIPTION
Uses TPW fuse adapter kit part number 7600108281 (order separately) ¹		030017760D	15 AMP	038017770A	110 AMP
PART NUMBER	DESCRIPTION	030017760E	20 AMP	038017770B	120 AMP
0300380150	150 AMP	030017760F	25 AMP	038017770C	130 AMP
0300380175	175 AMP	030017760G	30 AMP	038017770D	140 AMP
0300380200	200 AMP	030017760H	40 AMP	038017770E	150 AMP
0300380225	225 AMP	030017760I	50 AMP	*INCLUDES CIRCUIT BREAKER, 2 POLE ADAPTER KIT AND 2 POLE OUTPUT COVER	
0300380250	250 AMP	030017760J	60 AMP	BLANK PLUG*	
¹ TPWFUSE ADAPTER KIT INCLUDES HOLDER, 2 POLE ADAPTER AND 2 POLE OUTPUT COVER		030017760K	70 AMP	7600161501	
		030017760L	80 AMP		
		030017760M	90 AMP		
		030017760N	100 AMP		

*BLANK PLUGS PROTECT UNFILLED POSITIONS



907610150X FAMILY FUSE PANEL SCHEMATIC



The information on this document is proprietary information that is property of Trimm, inc. and shall not be reproduced or its contents disclosed in any manner whatsoever without the express written consent from Trimm, Inc. Due to continuous product development, specifications may change from those listed. Call Trimm, inc. for information

TOLERANCES: +/-0.015 ON OVERALL PART SIZE, +/-0.010 FROM ANY BEND TO THE CENTERLINE OF ANY HOLE OR CUTOUT, +/-0.005 FROM CENTERLINE TO CENTERLINE ON ANY HOLE OR CUTOUT

APPROVED BY:	DRAWN BY: BRIAN BURCH	DATE: 08/24/07	SIZE:	DESCRIPTION:	REV.
			B	BREAKER PANEL 1U 2A/2B -/+24TO48VDC	B
			FILE CODE	DRAWING NUMBER: 9076101501	
			907m	TRIMM, INC. 407 RAILROAD ST. BUTNER, NC. PHONE: 1-800-298-7466 FAX: 1-919-575-6200	PAGE: 2