

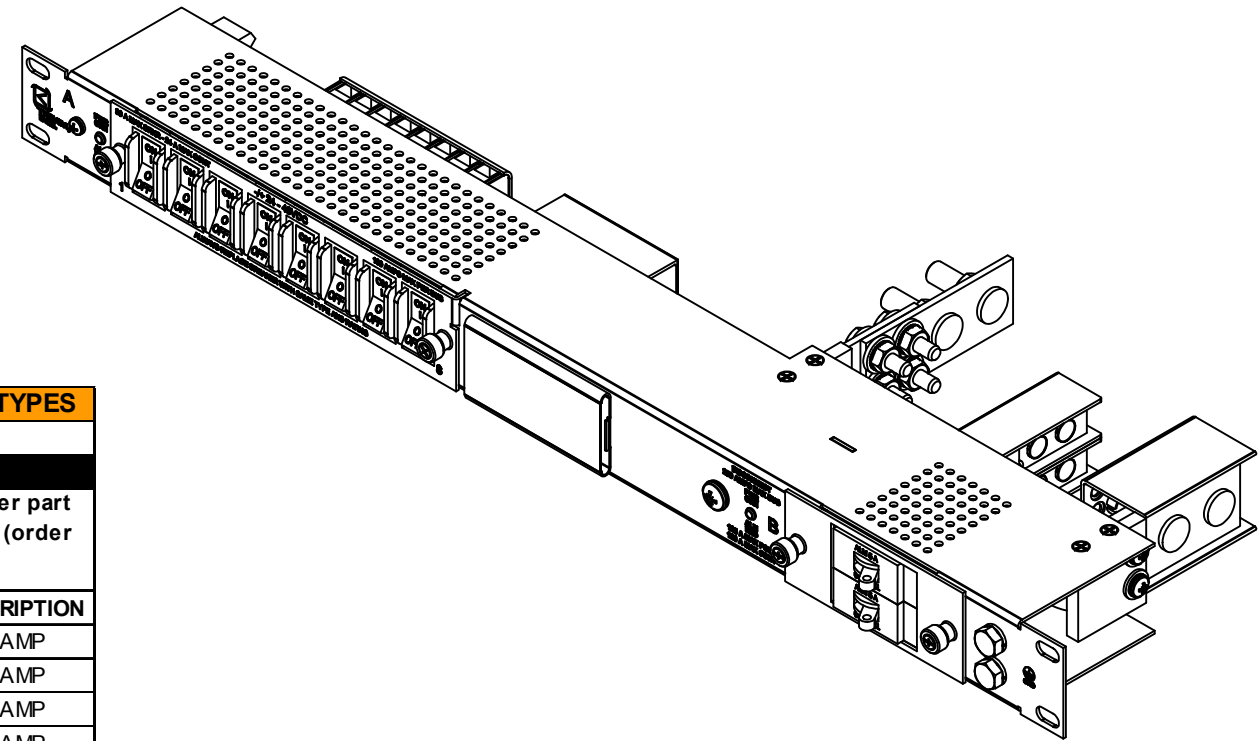
How To Order

Take the base part number 9074101501, and add a letter to the end (up to 8) for each circuit breaker from "Breaker Letters" table to be installed. Blanking plugs are provided for unfilled positions. Disconnect module (B bus) fuses, breakers and blanking plugs must be ordered separately from the "907 Family accepted fuse and circuit breakers" table below.

Example #1: Part number 9074101501AAAABBBB would be this panel with a 1/2 Amp circuit breaker in positions 1-4 (A bus) and a 1 Amp circuit breaker in positions 5-8 (A bus).

Example #2: Part number 9074101501BBB would be this panel with a 1 Amp circuit breaker in positions 1-3 (A bus) only and positions 4-8 (A bus) are unfilled.

If you wish to have the panel unfilled and circuit breakers not installed then simply order part number 9074101501 and the individual part numbers for the amperage of circuit breaker you desire from the "Breaker Part Numbers" table. Blanking plugs are not provided on unfilled panels and should be ordered separately from the table below.



Breaker Letters	
Letter	Amperage
A	1/2 Amp
B	1 Amp
C	2 Amp
D	3 Amp
E	5 Amp
F	7.5 Amp
G	10 Amp
H	15 Amp
I	20 Amp
J	25 Amp
K	30 Amp

Breaker Part Numbers*	
Part Number	Amperage
030017750A	1/2 Amp
030017750B	1 Amp
030017750C	2 Amp
030017750D	3 Amp
030017750E	5 Amp
030017750F	7.5 Amp
030017750G	10 Amp
030017750H	15 Amp
030017750I	20 Amp
030017750J	25 Amp
030017750K	30 Amp
9000200001	BLANK

*Used to order breakers separately

907 FAMILY FUSE PANEL ACCEPTED FUSE AND CIRCUIT BREAKER TYPES					
2 POSITION DISCONNECT BUS FUSES/CIRCUIT BREAKERS					
TPC FUSES		TPS FUSES		TLS FUSES	
Uses TPCDS fuse holder part number 0300108180 (order separately)		Uses TFD fuse holder part number 0300108380 (order separately)		Uses TFD fuse holder part number 0300108380 (order separately)	
PART NUMBER	DESCRIPTION	PART NUMBER	DESCRIPTION	PART NUMBER	DESCRIPTION
0300360003	3 AMP	0300350001	1 AMP	0300390001	1 AMP
0300360004	4 AMP	0300350002	2 AMP	0300390003	3 AMP
0300360005	5 AMP	0300350003	3 AMP	0300390005	5 AMP
0300360006	6 AMP	0300350005	5 AMP	0300390006	6 AMP
0300360007	7 AMP	0300350006	6 AMP	0300390010	10 AMP
0300360008	8 AMP	0300350010	10 AMP	0300390015	15 AMP
0300360010	10 AMP	0300350015	15 AMP	0300390020	20 AMP
0300360012	12 AMP	0300350020	20 AMP	0300390025	25 AMP
0300360015	15 AMP	0300350025	25 AMP	0300390030	30 AMP
0300360020	20 AMP	0300350030	30 AMP	0300390035	35 AMP
0300360025	25 AMP	0300350035	35 AMP	0300390040	40 AMP
0300360030	30 AMP	0300350040	40 AMP	0300390050	50 AMP
0300360040	40 AMP	0300350050	50 AMP	0300390060	60 AMP
0300360050	50 AMP	0300350060	60 AMP	0300390070	70 AMP
0300360060	60 AMP	0300350070	70 AMP	0300390080	80 AMP
0300360075	75 AMP			0300390090	90 AMP
0300360090	90 AMP			0300390100	100 AMP
0300360100	100 AMP			0300390125	125 AMP
0300360125	125 AMP				
2 POLE TPW FUSES*		CIRCUIT BREAKERS		2 POLE BREAKERS*	
Uses TPW fuse adapter kit part number 7600108281 (order separately) ¹		PART NUMBER	DESCRIPTION	PART NUMBER	DESCRIPTION
		030017760A	5 AMP	038017770A	110 AMP
		030017760B	7.5 AMP	038017770B	120 AMP
		030017760C	10 AMP	038017770C	130 AMP
		030017760D	15 AMP	038017770D	140 AMP
		030017760E	20 AMP	038017770E	150 AMP
		030017760F	25 AMP		
		030017760G	30 AMP		
		030017760H	40 AMP		
		030017760I	50 AMP		
		030017760J	60 AMP		
		030017760K	70 AMP		
		030017760L	80 AMP		
		030017760M	90 AMP		
		030017760N	100 AMP		
PART NUMBER		DESCRIPTION		DESCRIPTION	
0300380150	150 AMP	030017760H	40 AMP	038017770E	150 AMP
0300380175	175 AMP	030017760I	50 AMP		
0300380200	200 AMP	030017760J	60 AMP		
0300380225	225 AMP	030017760K	70 AMP		
0300380250	250 AMP	030017760L	80 AMP		
		030017760M	90 AMP		
		030017760N	100 AMP		
¹ TPWFUSE ADAPTER KIT INCLUDES HOLDER, 2 POLE ADAPTER AND 2 POLE OUTPUT COVER				*INCLUDES CIRCUIT BREAKER, 2 POLE ADAPTER KIT AND 2 POLE OUTPUT COVER	
				BLANK PLUG*	
				7600161501	

*BLANK PLUGS PROTECT UNFILLED POSITIONS

The information on this document is proprietary information that is property of Trimm, inc. and shall not be reproduced or its contents disclosed in any manner whatsoever without the express written consent from Trimm, Inc. Due to continuous product development, specifications may change from those listed. Call Trimm, inc. for information

TOLERANCES: +/- .015 ON OVERALL PART SIZE, +/- .010 FROM ANY BEND TO THE CENTERLINE OF ANY HOLE OR CUTOUT, +/- .005 FROM CENTERLINE TO CENTERLINE ON ANY HOLE OR CUTOUT

APPROVED BY:	DRAWN BY: BRIAN BURCH	DATE: 09/13/07	SIZE: B	DESCRIPTION: BREAKER PANEL 1U 8A/2B +/-24TO48VDC 23" BLACK W/O BRKRS STUD IN/BARR OUT	REV. B
			FILE CODE 907m	DRAWING NUMBER: 9074101501m	PAGE: 2
			TRIMM, INC. 407 RAILROAD ST. BUTNER, NC. PHONE: 1-800-298-7466 FAX: 1-919-575-6200		