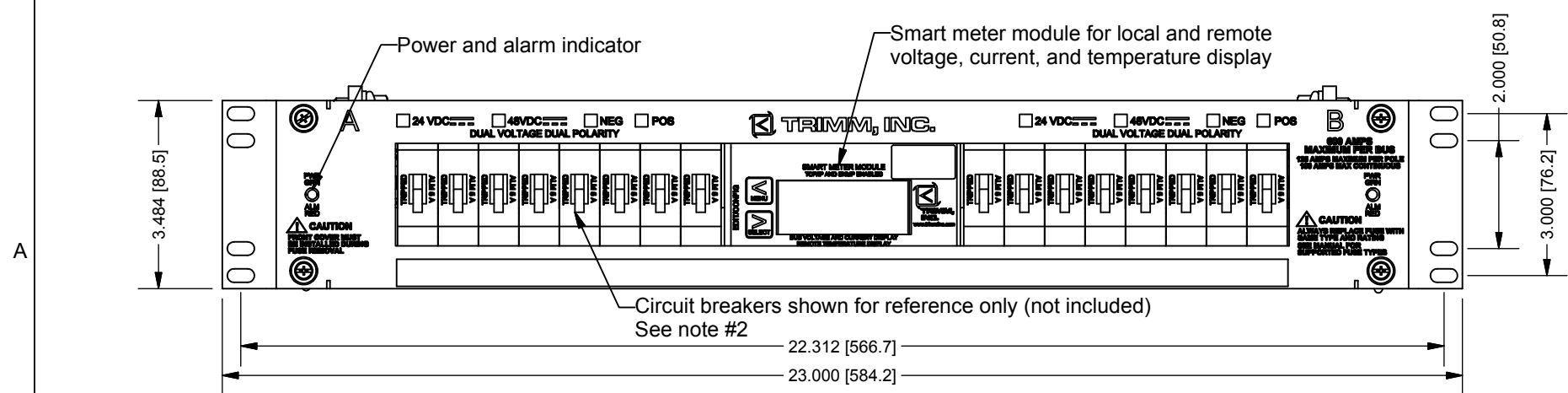


Product Specifications: 7678810001 Fuse Panel			
Mechanical	Dimensions	23" W x 3.484" H x 14.5" D	
	Rack Spaces	2 (2U)	
	Weight	20 Lbs. (w/ out fuses/breakers)	
	Mounting	23" WECE/EIA spacing	
	Offset Mounting Positions	Flush, 4" or 5" offset	
Electrical	Finish	Black textured powder coat (Zinc plated mounting/sides)	
	Input	Voltage	-/+ 24 TO 48 VDC
		Number of Buses	2 (A/B)
		Current	600 Amps max. per bus (1200 Amps total)
		Interrupt Device Rating	750 Amps max.
	Output	Single Pole	Up to 125 Amps (see fuse/breaker table)
		Dual Pole	Up to 250 Amps (see fuse/breaker table)
Continuous Load Rating		100 Amp (single pole) or 200 Amp (dual pole)	
Connections	Number of Single/Dual Positions	Up to 8 single pole or 4 dual pole per bus	
	Fuse/Breaker Types Accepted	Bussmann® TPS, TPC, TPW, Littelfuse® TLS, 1 and 2 pole circuit breakers	
	Input	2 Hole Compression Lugs	3/8" stud x 1" center-center spacing
		Wire Range	Up to 750 kcmil (up to 2 lugs per bus)
	Output	2 Hole Compression Lugs	1/4" captive studs x 5/8" center-center spacing
Wire Range		Up to 2/0 Awg.	
Max. Terminal Width		625" maximum	
Environment	Return Bus	2 Hole Compression Lugs 1/4" x 5/8" center-center or 3/8" x 1" center-center spacing	
	Wire Range	Up to 750 kcmil	
	Earthing (Chassis GND)	2 Hole Compression Lugs 1/4" captive nuts x 5/8" center-center spacing	
Alarming	Wire Range	Up to 4/0 Awg (1.25" max. width)	
	Short Term Operating Temperature	-5° C to +50° C	
	Max. Recommended Ambient	Up to +50° C	
	Storage Temperature	-40° C to +70° C	
Standards	Relative Humidity	0-95% noncondensing	
	Indicators	Bi-color led Green (power) Red (alarm)	
Standards	Alarm Capability	Form "C" contacts 1 set for power, 1 set for fuse/breaker fail	
	Connection Type	Solderless w rap (18 to 30 Awg) min. 5 turns	
	Safety (Recognized)	UL 60950-1, UL 1801, CSA C22.2 No. 60950-1	
Telcordia (NEBS)		NEBS Level 3 Certified	

Whats included: 4 x #12-24 rack mounting screws, input connection hardware (locking bolts and washers for battery/return connections), chassis ground connection hardware (locking bolts and washers), and output hardware (locking nuts). Fasteners for load equipment return connections not included.



NOTES:
 1-Dimensions are shown in Inches [mm].
 2-See page 2 for available fuses and circuit breakers (not included with panel).

The information on this document is proprietary information that is property of Trimm, inc. and shall not be reproduced or its contents disclosed in any manner whatsoever without the express written consent from Trimm, Inc. Due to continuous product development, specifications may change from those listed. Call Trimm, inc. for information

TOLERANCES:		-/+ .015 ON OVERALL PART SIZE, -/+ .010 FROM ANY BEND TO THE CENTERLINE OF ANY HOLE OR CUTOUT, -/+ .005 FROM CENTERLINE TO CENTERLINE ON ANY HOLE OR CUTOUT	
APPROVED BY:	DRAWN BY:	SIZE:	DESCRIPTION:
	Brian Burch	B	FUSE PANEL-8H/8H-SM-0G/0G-DV 23" 2U
DATE:	11/01/07	FILE CODE:	DRAWING NUMBER: 7678810001m
		767m	TRIMM, INC. 407 RAILROAD ST. BUTNER, NC. PHONE: 1-800-298-7466 FAX: 1-919-575-6200
			PAGE: 1

4

3

2

1

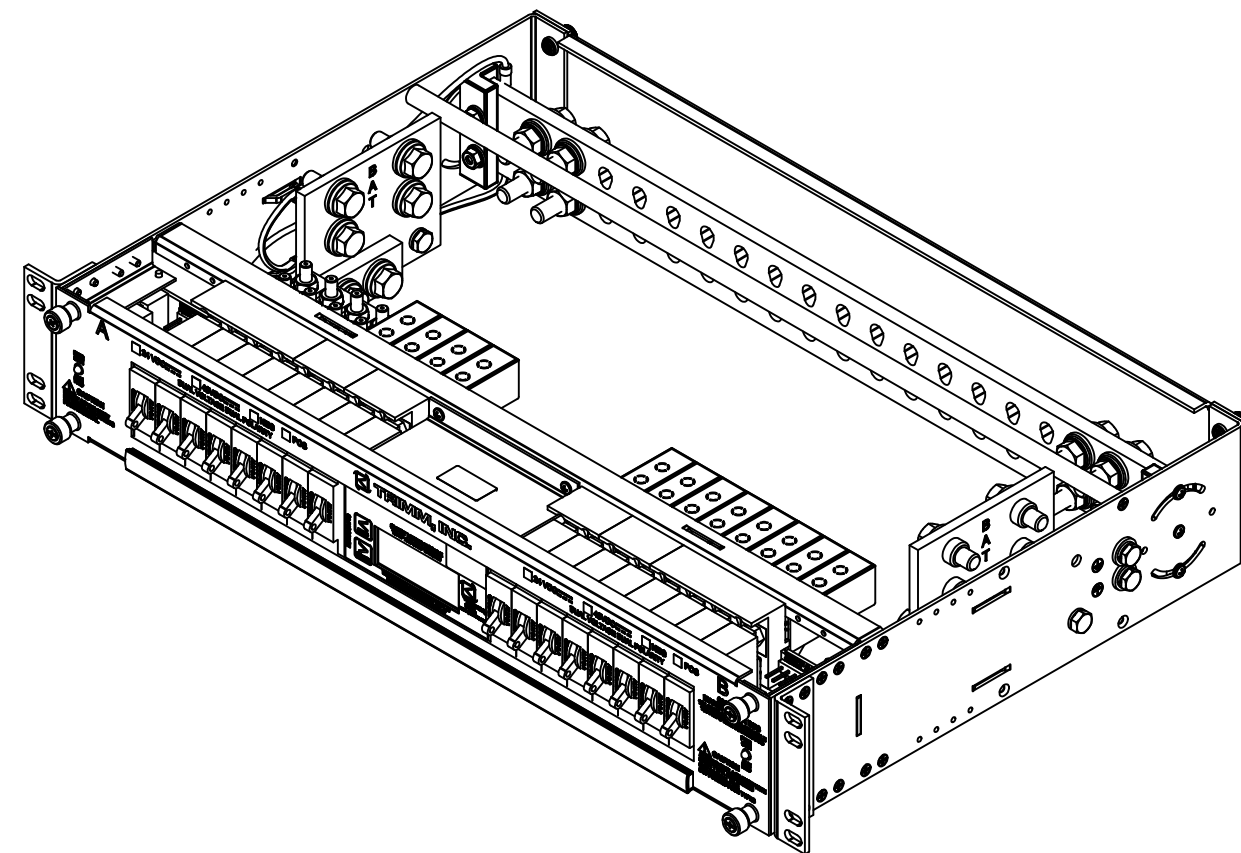
767 FAMILY FUSE PANEL. ACCEPTED FUSE AND CIRCUIT BREAKER TYPES

Fuses require holders listed at start of each column (order separately)

TPC FUSES TPS FUSES TLS FUSES

Uses TPCDS fuse holder part number 0300108180		Uses TFD fuse holder part number 0300108380		Uses TFD fuse holder part number 0300108380	
PART NUMBER	DESCRIPTION	PART NUMBER	DESCRIPTION	PART NUMBER	DESCRIPTION
0300360003	3 AMP	0300350001	1 AMP	0300390001	1 AMP
0300360004	4 AMP	0300350002	2 AMP	0300390003	3 AMP
0300360005	5 AMP	0300350003	3 AMP	0300390005	5 AMP
0300360006	6 AMP	0300350005	5 AMP	0300390006	6 AMP
0300360007	7 AMP	0300350006	6 AMP	0300390010	10 AMP
0300360008	8 AMP	0300350010	10 AMP	0300390015	15 AMP
0300360010	10 AMP	0300350015	15 AMP	0300390020	20 AMP
0300360012	12 AMP	0300350020	20 AMP	0300390025	25 AMP
0300360015	15 AMP	0300350025	25 AMP	0300390030	30 AMP
0300360020	20 AMP	0300350030	30 AMP	0300390035	35 AMP
0300360025	25 AMP	0300350035	35 AMP	0300390040	40 AMP
0300360030	30 AMP	0300350040	40 AMP	0300390050	50 AMP
0300360040	40 AMP	0300350050	50 AMP	0300390060	60 AMP
0300360050	50 AMP	0300350060	60 AMP	0300390070	70 AMP
0300360060	60 AMP	0300350070	70 AMP	0300390080	80 AMP
0300360075	75 AMP	CIRCUIT BREAKERS		0300390090	90 AMP
0300360090	90 AMP	PART NUMBER	DESCRIPTION	0300390100	100 AMP
0300360100	100 AMP	030017760A	5 AMP	0300390125	125 AMP
0300360125	125 AMP	030017760B	7.5 AMP	2 POLE CIRCUIT BREAKERS*	
TPW FUSES (2 pole)		030017760C	10 AMP	PART NUMBER	DESCRIPTION
*Uses TPWDS fuse holder part number 7600108280		030017760D	15 AMP	039017770A	110 AMP
		030017760E	20 AMP	039017770B	120 AMP
		030017760F	25 AMP	039017770C	130 AMP
		030017760G	30 AMP	039017770D	140 AMP
		030017760H	40 AMP	039017770E	150 AMP
		030017760I	50 AMP	*INCLUDES 2 POLE ADAPTER KIT AND 2 POLE OUTPUT COVER	
		030017760J	60 AMP	BLANK PLUG*	
		030017760K	70 AMP	7600161501	
*HOLDER INCLUDES 2 POLE ADAPTER KIT AND 2 POLE OUTPUT COVER		030017760L	80 AMP		
		030017760M	90 AMP		
		030017760N	100 AMP		

*BLANK PLUGS PROTECT UNFILLED POSITIONS



The information on this document is proprietary information that is property of Trimm, inc. and shall not be reproduced or its contents disclosed in any manner whatsoever without the express written consent from Trimm, Inc. Due to continuous product development, specifications may change from those listed. Call Trimm, inc. for information

TOLERANCES: -/+ .015 ON OVERALL PART SIZE, -/+ .010 FROM ANY BEND TO THE CENTERLINE OF ANY HOLE OR CUTOUT, -/+ .005 FROM CENTERLINE TO CENTERLINE ON ANY HOLE OR CUTOUT

APPROVED BY:	DRAWN BY: Brian Burch	DATE: 11/01/07	SIZE:	DESCRIPTION:	REV.
			B	FUSE PANEL-8H/8H-SM-0G/0G-DV 23" 2U	
			FILE CODE	DRAWING NUMBER: 7678810001m	PAGE:
			767m	TRIMM, INC. 407 RAILROAD ST. BUTNER, NC. PHONE: 1-800-298-7466 FAX: 1-919-575-6200	2

4

3

2

1