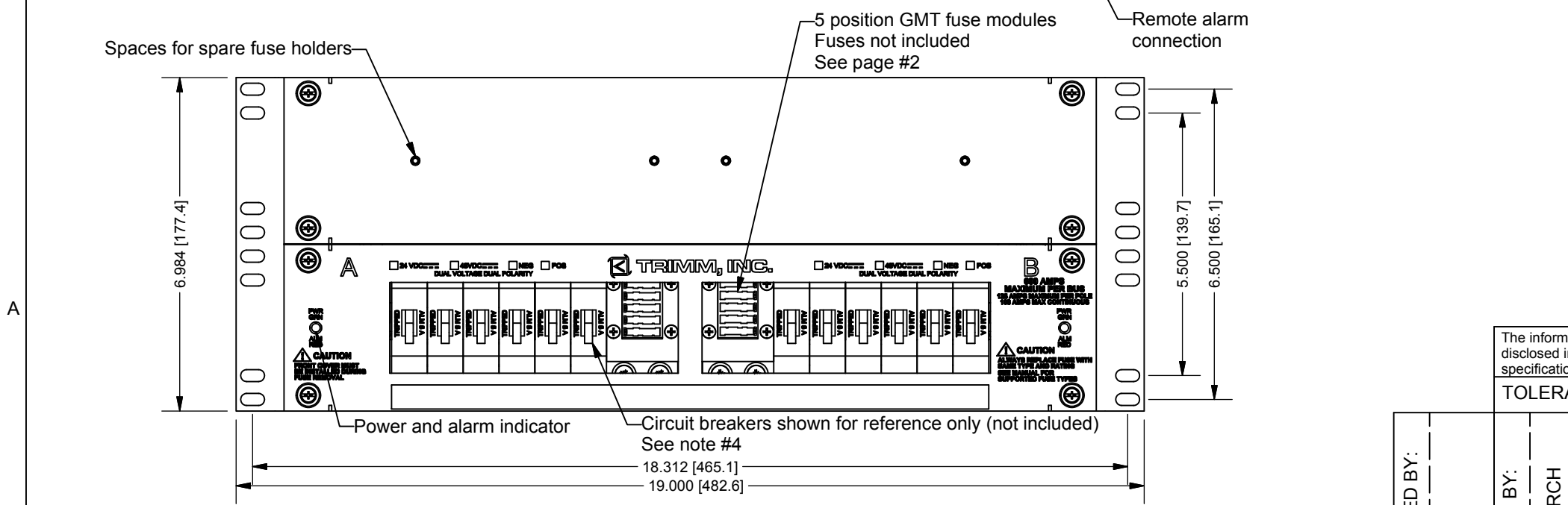


Product Specifications: 7676601113 Fuse Panel			
Mechanical	Dimensions	19" W x 6.984" H x 14.5" D	
	Rack Spaces	4 (4U)	
	Weight	22 Lbs. (w/ out fuses/breakers)	
	Mounting	19" WECCO/EIA spacing	
	Offset Mounting Positions	Flush, 4" or 5" offset	
Electrical	Finish	Black textured powder coat (Zinc plated mounting/sides)	
	Input	Voltage	-/+ 24 TO 48 VDC
		Number of Buses	2 (A/B)
		Current	600 Amps max. per bus (1200 Amps total)
	Output	Interrupt Device Rating	750 Amps max.
		Single Pole	Up to 125 Amps (see fuse/breaker table)
		Dual Pole	Up to 250 Amps (see fuse/breaker table)
	Connections	Continuous Load Rating	100 Amp (single pole) or 200 Amp (dual pole)
		Number of Single/Dual Positions	Up to 6 single pole or 3 dual pole per bus
		Fuse/Breaker Types Accepted	Bussmann® TPS, TPC, TPW, Littelfuse® TLS, 1 and 2 pole circuit breakers
Input		GMT module	Up to 15 Amps (60 Max. per module)
		2 Hole Compression Lugs	3/8" stud x 1" center-center spacing
Output		Wire Range	Up to 750 kcmil (up to 2 lugs per bus)
		Max. Terminal Width	2" maximum
Return Bus		2 Hole Compression Lugs	1/4" captive studs x 5/8" center-center spacing
		Wire Range	Up to 2/0 Awg.
Earthing (Chassis GND)		Max. Terminal Width	.625" maximum
	GMT module	10-22 Awg fork or ring terminals (.335 Max. width)	
Environment	Short Term Operating Temperature	-5° C to +50° C	
	Max. Recommended Ambient	Up to +50° C	
	Storage Temperature	-40° C to +70° C	
Alarming	Relative Humidity	0-95% noncondensing	
	Indicators	Bi-color led Green (power) Red (alarm)	
	Alarm Capability	Form "C" contacts 1 set for power, 1 set for fuse/breaker fail	
Standards	Connection Type	Solderless wrap (18 to 30 Awg) min. 5 turns	
	Safety (Recognized)	UL 60950-1, UL 1801, CSA C22.2 No. 60950-1 EN 60950-1, IEC 60950-1	
Telcordia (NEBS) NEBS Level 3 Certified			

Whats included: 4 x #12-24 rack mounting screws, input connection hardware (locking bolts and washers for battery/return connections), chassis ground connection hardware (locking bolts and washers), and output hardware (locking nuts). Fasteners for load equipment return connections not included.



Notes:
 1-Dimensions are shown in Inches [mm].
 2-See page 2 for available fuses and circuit breakers. (Not included with panel)

The information on this document is proprietary information that is property of Trimm, inc. and shall not be reproduced or its contents disclosed in any manner whatsoever without the express written consent from Trimm, Inc. Due to continuous product development, specifications may change from those listed. Call Trimm, inc. for information

TOLERANCES: -/+ .015 ON OVERALL PART SIZE, -/+ .010 FROM ANY BEND TO THE CENTERLINE OF ANY HOLE OR CUTOUT, -/+ .005 FROM CENTERLINE TO CENTERLINE ON ANY HOLE OR CUTOUT

APPROVED BY:	DRAWN BY: BRIAN BURCH	DATE: 11/01/07	SIZE: B	DESCRIPTION: FUSE PANEL-6H/6H-XGND-1G/1G-DV 19"	REV. A
			FILE CODE 767m	DRAWING NUMBER: 7676601113m	PAGE: 1
				TRIMM, INC. 407 RAILROAD ST. BUTNER, NC. PHONE: 1-800-298-7466 FAX: 1-919-575-6200	

4

3

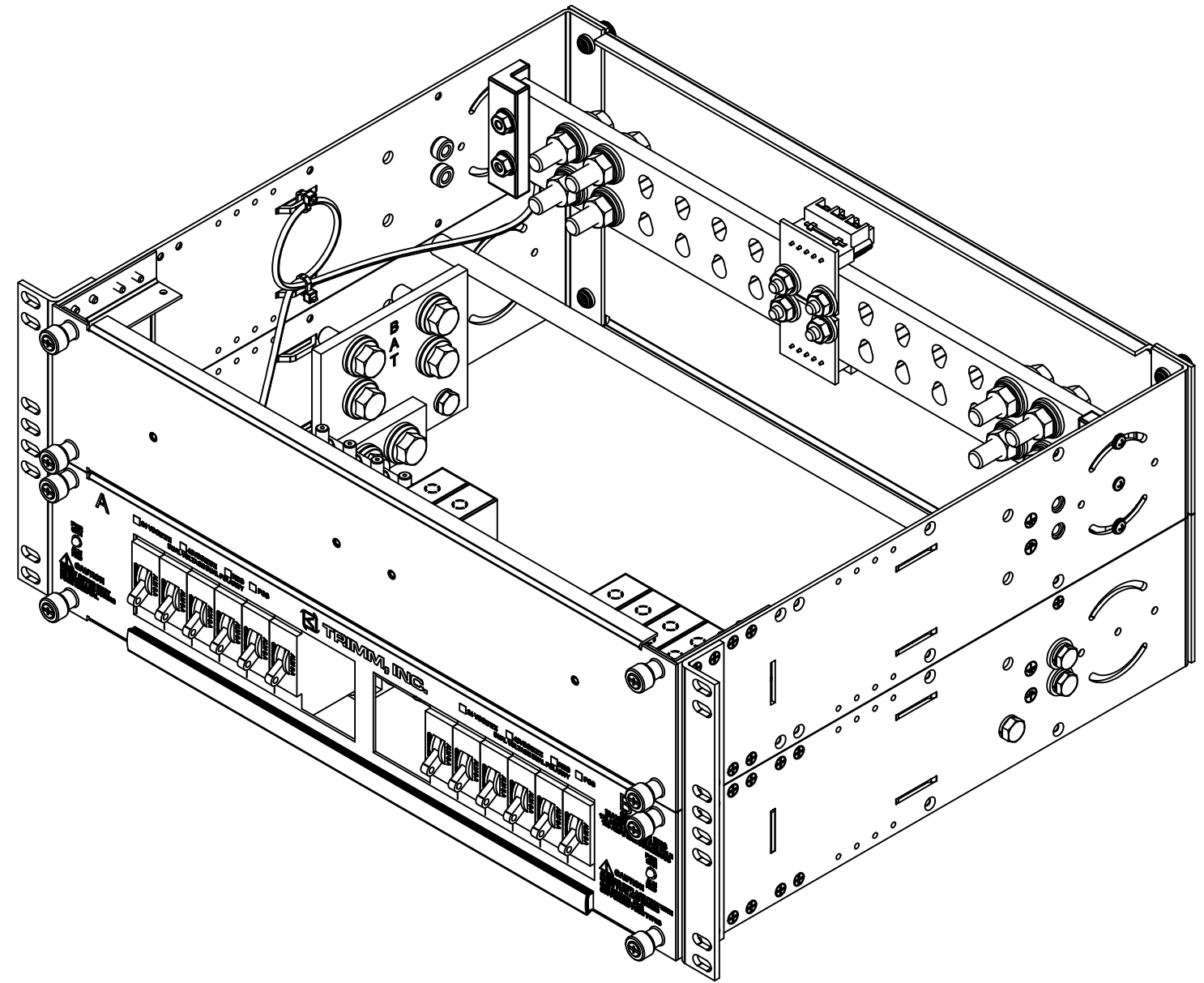
2

1

767 FAMILY FUSE PANEL ACCEPTED FUSE AND CIRCUIT BREAKER TYPES					
Fuses require holders listed at start of each column (order separately)					
TPC FUSES		TPS FUSES		TLS FUSES	
Uses TPCDS fuse holder part number 0300108180		Uses TFD fuse holder part number 0300108380		Uses TFD fuse holder part number 0300108380	
PART NUMBER	DESCRIPTION	PART NUMBER	DESCRIPTION	PART NUMBER	DESCRIPTION
0300360003	3 AMP	0300350001	1 AMP	0300390001	1 AMP
0300360004	4 AMP	0300350002	2 AMP	0300390003	3 AMP
0300360005	5 AMP	0300350003	3 AMP	0300390005	5 AMP
0300360006	6 AMP	0300350005	5 AMP	0300390006	6 AMP
0300360007	7 AMP	0300350006	6 AMP	0300390010	10 AMP
0300360008	8 AMP	0300350010	10 AMP	0300390015	15 AMP
0300360010	10 AMP	0300350015	15 AMP	0300390020	20 AMP
0300360012	12 AMP	0300350020	20 AMP	0300390025	25 AMP
0300360015	15 AMP	0300350025	25 AMP	0300390030	30 AMP
0300360020	20 AMP	0300350030	30 AMP	0300390035	35 AMP
0300360025	25 AMP	0300350035	35 AMP	0300390040	40 AMP
0300360030	30 AMP	0300350040	40 AMP	0300390050	50 AMP
0300360040	40 AMP	0300350050	50 AMP	0300390060	60 AMP
0300360050	50 AMP	0300350060	60 AMP	0300390070	70 AMP
0300360060	60 AMP	0300350070	70 AMP	0300390080	80 AMP
0300360075	75 AMP	CIRCUIT BREAKERS		0300390090	90 AMP
0300360090	90 AMP	PART NUMBER	DESCRIPTION	0300390100	100 AMP
0300360100	100 AMP	030017760A	5 AMP	0300390125	125 AMP
0300360125	125 AMP	030017760B	7.5 AMP	2 POLE CIRCUIT BREAKERS*	
TPW FUSES (2 pole)		030017760C	10 AMP	PART NUMBER	DESCRIPTION
*Uses TPWDS fuse holder part number 7600108280		030017760D	15 AMP	039017770A	110 AMP
PART NUMBER	DESCRIPTION	030017760E	20 AMP	039017770B	120 AMP
0300380150	150 AMP	030017760F	25 AMP	039017770C	130 AMP
0300380175	175 AMP	030017760G	30 AMP	039017770D	140 AMP
0300380200	200 AMP	030017760H	40 AMP	039017770E	150 AMP
0300380225	225 AMP	030017760I	50 AMP	*INCLUDES 2 POLE ADAPTER KIT AND 2 POLE OUTPUT COVER	
0300380250	250 AMP	030017760J	60 AMP	BLANK PLUG*	
*HOLDER INCLUDES 2 POLE ADAPTER KIT AND 2 POLE OUTPUT COVER		030017760K	70 AMP	7600161501	
		030017760L	80 AMP		
		030017760M	90 AMP		
		030017760N	100 AMP		

*BLANK PLUGS PROTECT UNFILLED POSITIONS

GMT FUSES	
PART NUMBER	FUSE AMPERAGE
0300097000	18/100 AMP
0300097001	1/4 AMP
0300097016	3/8 AMP
0300097002	1/2 AMP
0600097065	65/100 AMP
0300097003	3/4 AMP
0300097004	1 AMP
0300097005	1-1/3 AMP
0300097006	1-1/2 AMP
0300097007	2 AMP
0300097008	3 AMP
0300097013	3-1/2 AMP
0300097012	4 AMP
0300097009	5 AMP
0300097011	7-1/2 AMP
0300097010	10 AMP
0300097014	12 AMP
0300097015	15 AMP
0300097100	DUMMY FUSE
0300097209	GMT/X FUSE COVER



The information on this document is proprietary information that is property of Trimm, inc. and shall not be reproduced or its contents disclosed in any manner whatsoever without the express written consent from Trimm, Inc. Due to continuous product development, specifications may change from those listed. Call Trimm, inc. for information

TOLERANCES: -/+ .015 ON OVERALL PART SIZE, -/+ .010 FROM ANY BEND TO THE CENTERLINE OF ANY HOLE OR CUTOUT, -/+ .005 FROM CENTERLINE TO CENTERLINE ON ANY HOLE OR CUTOUT

APPROVED BY:	DRAWN BY: BRIAN BURCH	DATE: 11/01/07	SIZE:	DESCRIPTION:	REV.
			B	FUSE PANEL-6H/6H-XGND-1G/1G-DV 19"	
			FILE CODE	DRAWING NUMBER: 7676601113m	PAGE:
767m	TRIMM, INC. 407 RAILROAD ST. BUTNER, NC. PHONE: 1-800-298-7466 FAX: 1-919-575-6200		2		

4

3

2

1