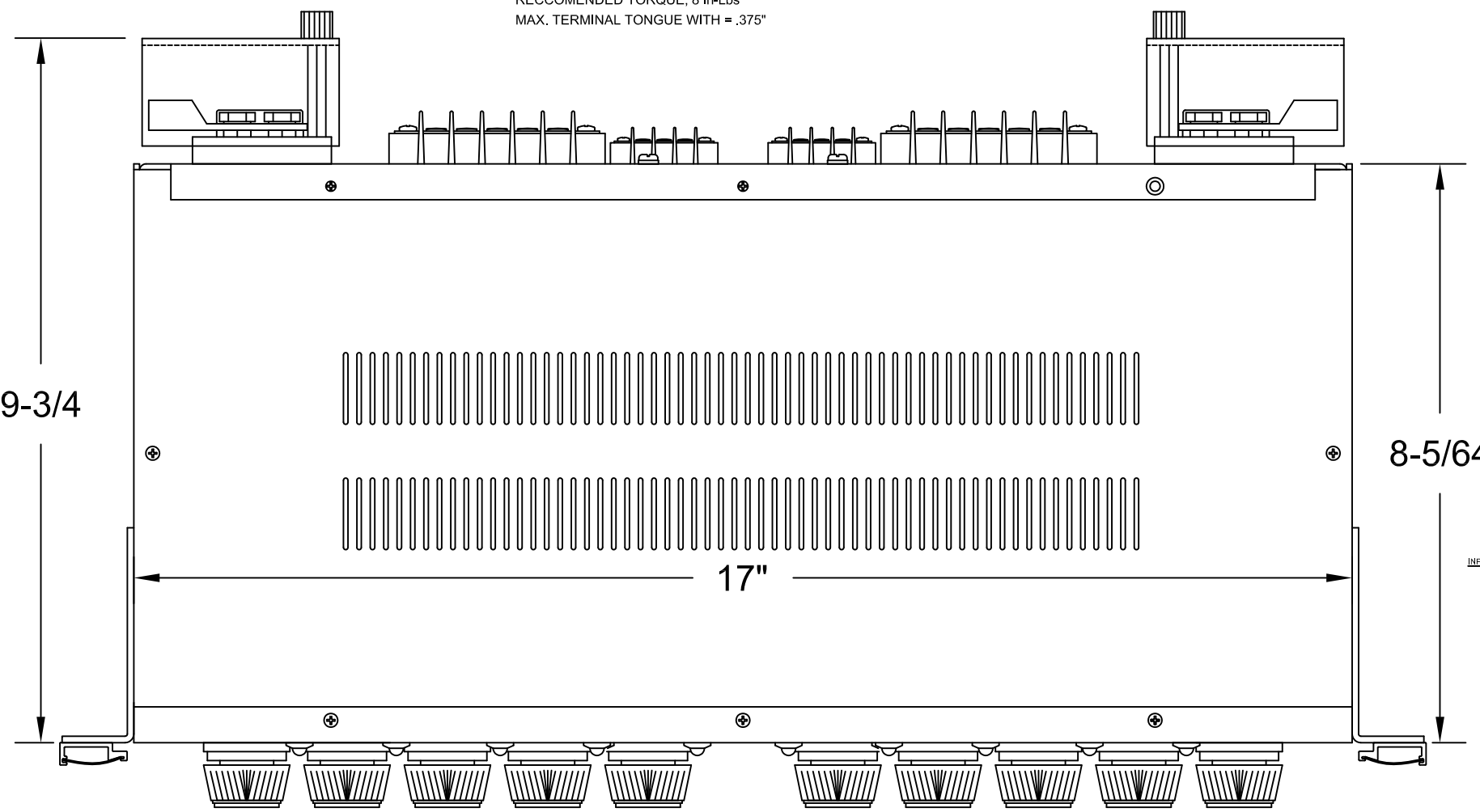
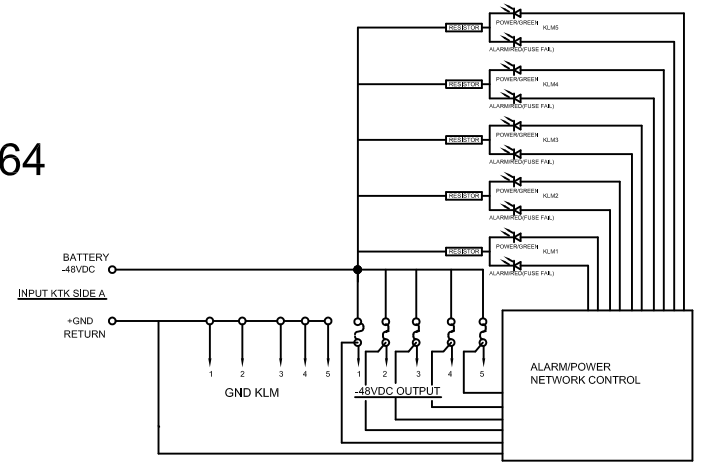


- NOTES:
- 1-INPUT-TWO HOLE STUD 1/4X20 , UP TO#2 AWG WIRE,100 A/SIDE (LUG PROVIDED)
 - 2-OUTPUT-TERMINAL BARRIER STRIP #8 FOR 14-10 AWG, 30 AMP/POS
 - 3-ALARM:TERMINAL BARRIER STRIP ON REAR, 22-16 AWG WIRE
-FRONT-GREEN LED FOR POWER ON AND RED WHEN FUSE FAIL
 - * 4-FUSE HOLDER: ACCEPT KLM TYPE FUSES UP TO 30 A PER POS.
 - 5-MOUNTING: FLUSH, 4 OR 5" ; 19 AND 23" UNIVERSAL BRACKET
WECO AND EIA MOUNTING FEATURE
 - 6-CHASSIS GROUND #6-32 SCREWS (2)
 - 7-MATERIAL: ALUMINUM .080"
 - 8-FINISH: FROST ETCH & CLEAR ANODIZED
 - 9-REAR PLASTIC COVER FOR STUD INPUT

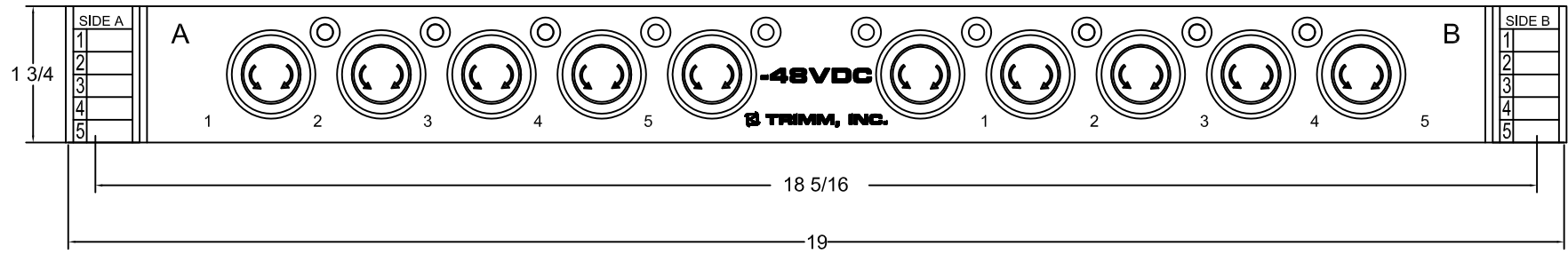
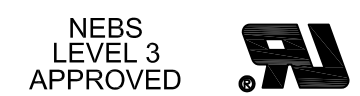


- * KLM FUSES ARE UL RECOGNIZED TO 500 V AC/DC
- * KTK FUSES ARE UL LISTED FOR 600 VAC ONLY



SCHEMATIC SIDE A- TYPICAL

TRIMM, INC.
CONTACT INFORMATION
407 RAILROAD ST.
BUTNER, NC 27509
PHONE: 800-298-7466
FAX: 919-575-6200
WWW.TRIMMINC.COM



The information on this document is proprietary information that is property of Trimm, Inc. and shall not be reproduced or its contents disclosed in any manner whatsoever without the express written consent from Trimm, Inc. Due to continuous product development, specifications may change from those listed. Call Trimm, Inc. for information.

SCALE: NONE		TOLERANCES: ±.005 , ±1/64 , ±.5°	
DRAWN BY: B.BURCH	DATE: 01/07/00	SIZE: B	DESCRIPTION: FUSE PANEL BOX, 5/5 KLM, -48VDC STUD INPUT/ BARRIER OUTPUT
		FILE CODE: MKT	DRAWING NUMBER: 7573215421
PHONE: 1-919-575-6100		REV. A	
TRIMM, INC.			PAGE: 1 OF 1