

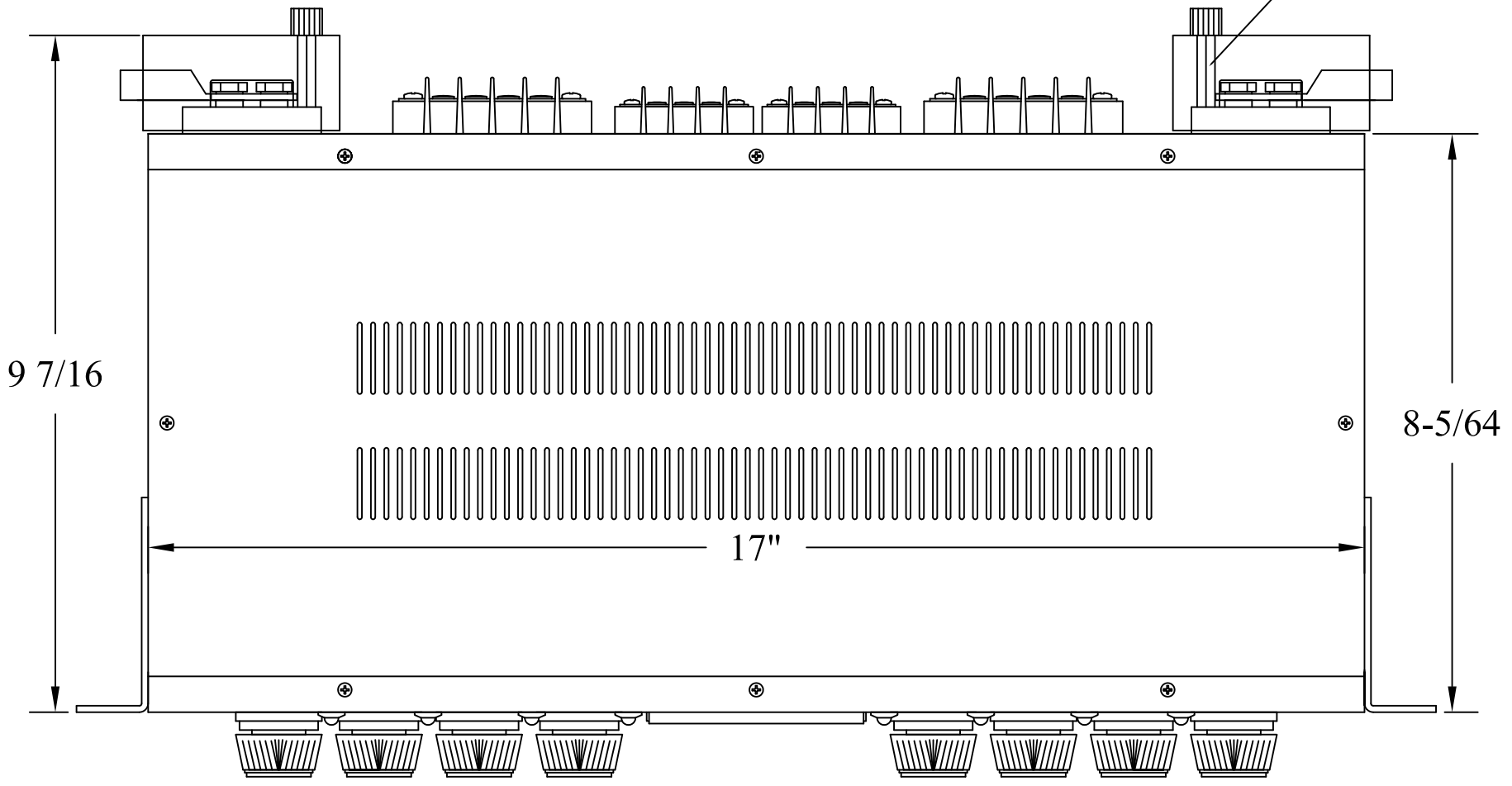
REAR VIEW ROTATED

OUTPUT KLM, TERMINAL #8 SCREWS
RECCOMENDED TORQUE, 8 In-Lbs
MAX. TERMINAL TONGUE WIDTH = .375"

INPUT STUD FOR #2 AWG WIRE
USE PANDUIT CRIMP TOOL #CT17000 OR SIMILAR

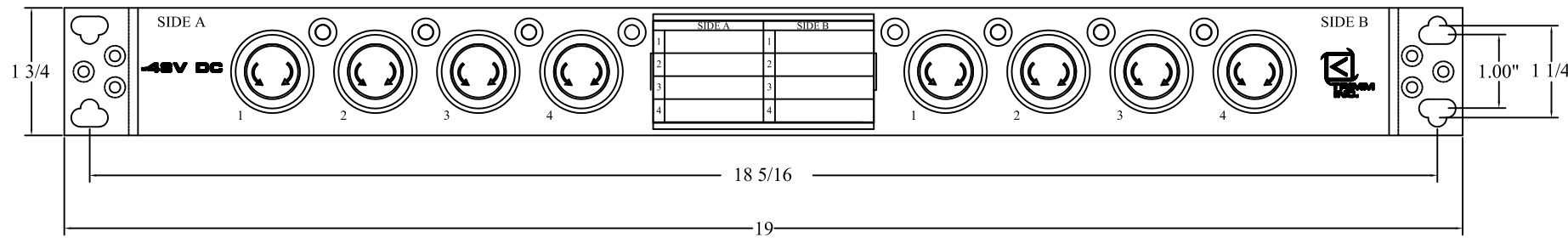
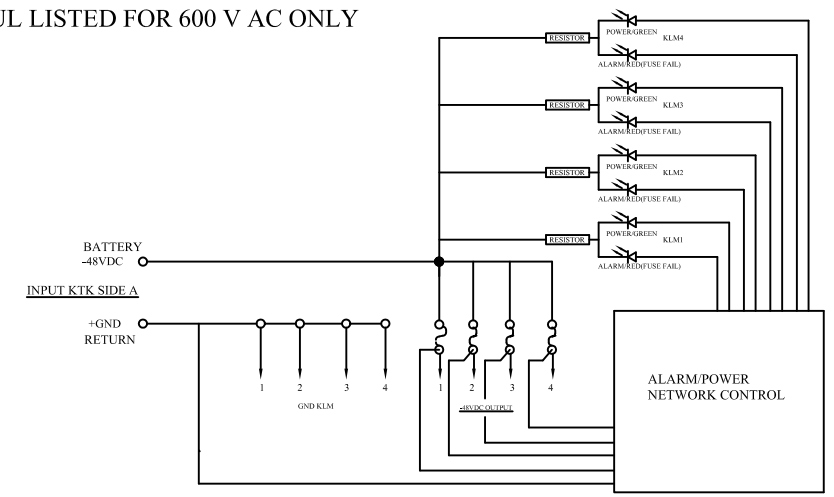
TORQUE 22-24 In-Lbs

SEE NOTE 10

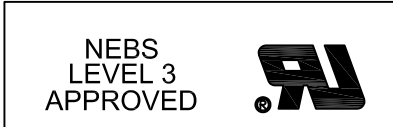


- NOTES;
- 1-INPUT-TWO HOLE STUD 1/4X20 , UP TO#2 AWG WIRE,100 A/SIDE (LUG PROVIDED)
 - 2-OUTPUT-TERMINAL BARRIER STRIP #8 FOR 14-10 AWG, 30 AMP/POS
 - 3-ALARM:TERMINAL BARRIER STRIP ON REAR, 22-16 AWG WIRE
-FRONT-GREEN LED FOR POWER ON AND TURN RED WHEN FUSE FAIL
 - * 4-FUSE HOLDER: ACCEPT KLM TYPE FUSES UP TO 30 A PER POS.
 - 5-MOUNTING: FLUSH, 4 OR 5" ; 19 AND 23" UNIVERSAL BRACKET
WECO AND EIA MOUNTING FEATURE
 - 6-CHASSIS GROUND #6-32 SCREWS (2)
 - 7-MATERIAL: ALUMINUM .080"
 - 8-FINISH: FROST ETCH & CLEAR ANODIZED
 - 9-REAR PLASTIC COVER FOR STUD INPUT
 - 10-HEX STUD IS INSULATED WITH HEATSHRINK TUBING

* KLM FUSES ARE UL RECOGNIZED 500 V AC/DC
KTK FUSES ARE UL LISTED FOR 600 V AC ONLY



TRIMM, INC.
CONTACT INFORMATION
407 RAILROAD ST.
BUTNER, NC 27509
PHONE: 800-298-7466
FAX: 919-575-6200
WWW.TRIMMINC.COM



The information on this document is proprietary information that is property of Trimm, Inc. and shall not be reproduced or its contents disclosed in any manner whatsoever without the express written consent from Trimm, Inc. Due to continuous product development, specifications may change from those listed. Call Trimm, Inc. for information.

SCALE: NONE TOLERANCES: ±.005 , ±1/64 , ±.5°

ISSUE: C 4-07-99 A.S. ECH#: 99040701 REPLACED "KTK" WITH "KLM" ISSUE: B 3-10-99 A.S. ECH#: 99031002 ADDED NOTE 10	DRAWN BY: B.BURCH	DATE: 03/11/04	SIZE: B	DESCRIPTION: FUSE PANEL BOX - KLM 4/4, -48VDC STUD INPUT/BARRIER STRIP OUTPUT	REV. C
	PHONE: 1-919-575-6100	DRAWING NUMBER: 7573214421			
	TRIMM, INC.				PAGE: 1 OF 1