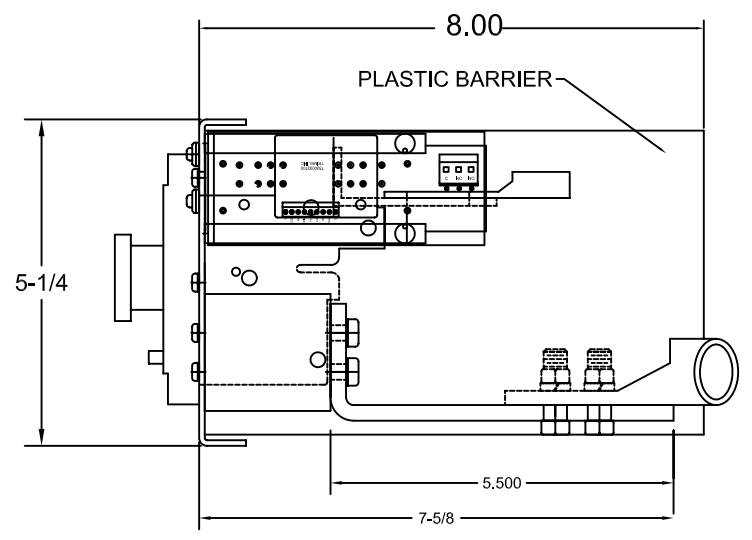
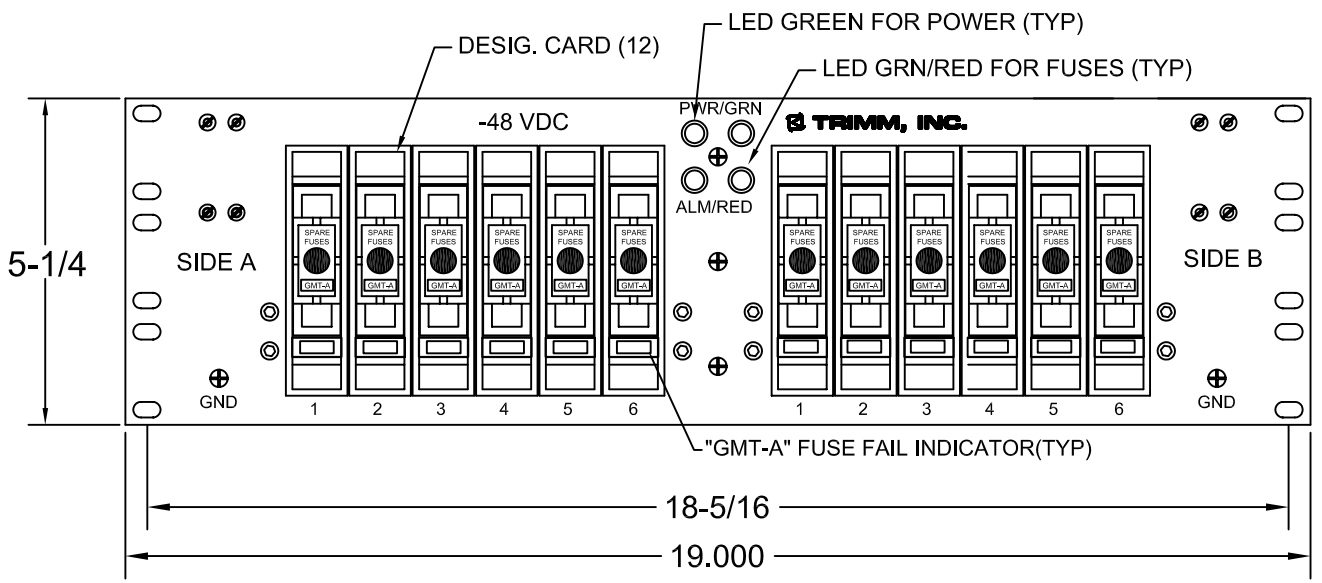
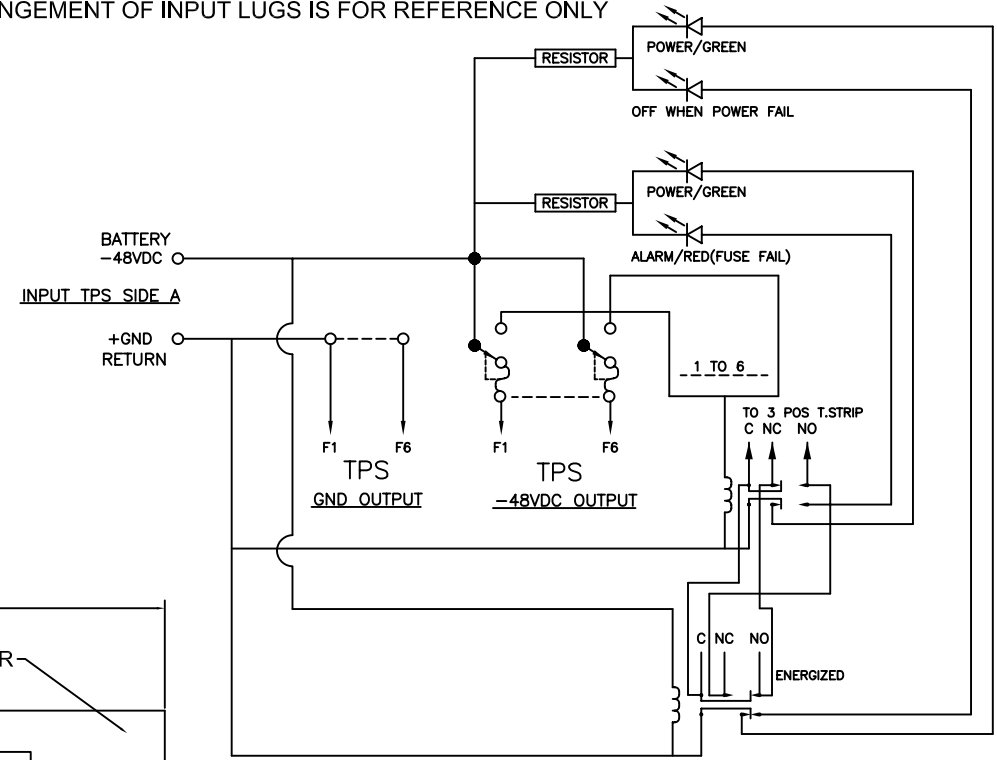


- NOTES:**
- 1-BATTERY BUS BAR A & B WITH 6 POSITIONS PER SIDE
  - 2-BUSSBAR CAPACITY 500 AMPS MAX PER SIDE
  - 3-SOLID INSULATED BUS BAR SUPPORT
  - 4-POWER ON " GREEN LED " ON FRONT
  - 5-FUSE ON-OFF "GREEN/RED LED" ON FRONT
  - 6-REMOTE ALARM FOR PWR/FUSE FAILURE ON THE REAR:
    - 6.1-THE NC/NO CONDITIONS IS AVAILABLE "ONLY" IF POWER IS ON WITHOUT POWER BOTH NC/NO CONTACTS ARE CLOSED
    - 6.2-FOR WIRING 3 PIN CONN. JUST RELEASE THE LOCKING PINS PULL THE PCB, WIRE "C & NO" AND PUSH BACK AND LOCK PCB
  - 7-STEEL FRONT PANEL BLACK PAINT.
  - 8- 19 " RACK MOUNTING, REQUIRING ONLY 3 RACK SPACE.
  - 9-FUSE ARE NOT INCLUDED. MUST BE ORDERED SEPARATE
  - 10-THE ARRANGEMENT OF INPUT LUGS IS FOR REFERENCE ONLY



TRIMM, INC.  
 CONTACT INFORMATION  
 407 RAILROAD ST.  
 BUTNER, NC 27509  
 PHONE: 800-298-7466  
 FAX: 919-575-6200  
 WWW.TRIMMINC.COM



The information on this document is proprietary information that is property of Trimm, Inc. and shall not be reproduced or its contents disclosed in any manner whatsoever without the express written consent from Trimm, Inc. Due to continuous product development, specifications may change from those listed. Call Trimm, Inc. for information.

SCALE: NONE		TOLERANCES: ±.005, ±1/64, ±.5°	
DRAWN BY: B.BURCH	DATE: 03/11/04	SIZE: <b>B</b>	DESCRIPTION: FUSE PANEL "TPS" 6/6, 420A/SIDE WITH "L" INPUT BUS BAR
		FILE CODE: MKT	DRAWING NUMBER: 7570510212
PHONE: 1-919-575-6100		<b>TRIMM, INC.</b>	
			REV. <b>A</b> PAGE: 1 OF 2

1 | 2 | 3 | 4 | 5 | 6 | 7 | 8 | 9 | 10 | 11 | 12 | 13 | 14 | 15 | 16

A

B

C

D

E

F

G

A

B

C

D

E

F

G

H

TRIMM, INC.  
CONTACT INFORMATION  
407 RAILROAD ST.  
BUTNER, NC 27509  
PHONE: 800-298-7466  
WWW.TRIMMINC.COM

NEBS  
LEVEL 3  
APPROVED

3N1

REV. —