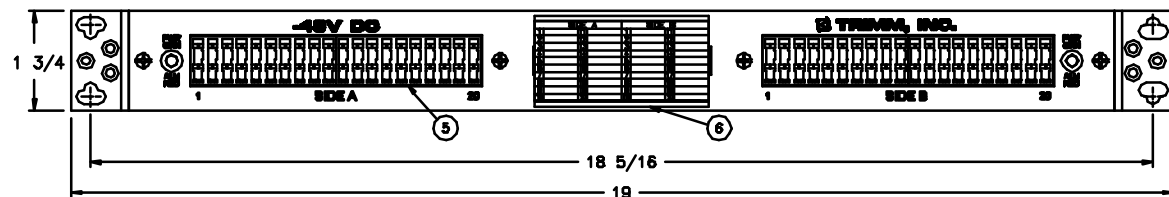
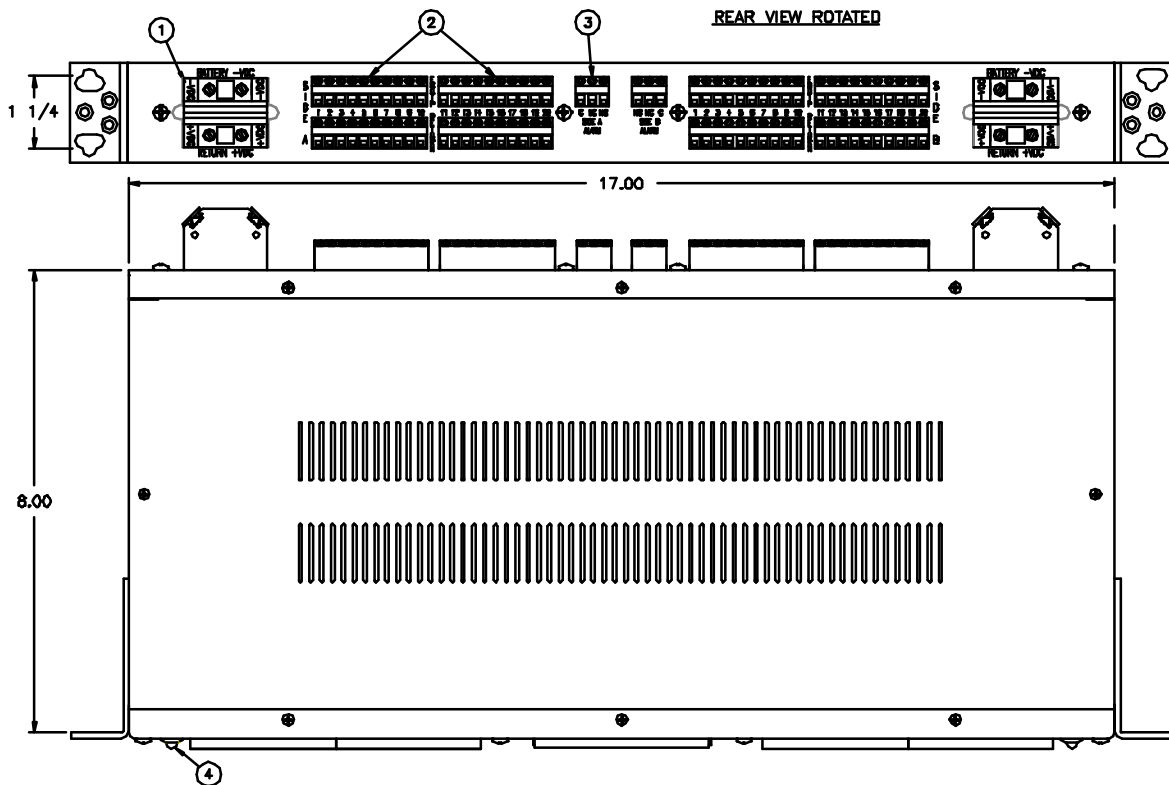


REAR VIEW ROTATED

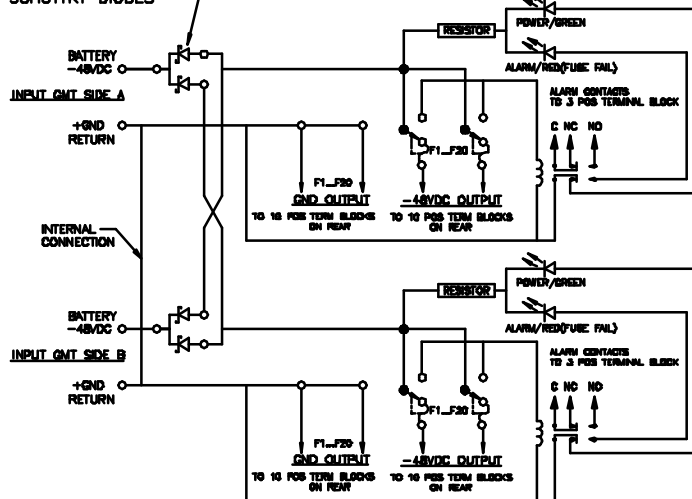


PART NUMBER	DESCRIPTION
7570421021	-48VDC
7570421022	-24VDC
7570421023	+24VDC
7570421024	+12VDC

NOTES:

- INPUT - SET SCREW STYLE WITH DUAL INPUT - 6 AWG MAX WIRE SIZE. RECOMMENDED TORQUE 14 in-lbs.
- EQUIPMENT CONNECTIONS - SET SCREW TYPE ACCEPTS 26-14 AWG. RECOMMENDED TORQUE 4 in-lbs.
- ALARM CONTACTS - SET SCREW TYPE ACCEPTS 26-14 AWG, 125 VDC OR 125 VAC. MAXIMUM SWITCHING POWER 30 WATTS DC OR 60 VA AC (RESISTIVE LOAD). RELAY CHANGES STATE WHEN FUSE FAILS ONLY. RECOMMENDED TORQUE 4 in-lbs.
- ALARM/POWER INDICATOR - RED/GREEN LED TYPE.
- FUSE HOLDER - ACCEPTS GMT TYPE FUSES UP TO 15 AMPS PER POSITION (30 AMPS MAX PER SIDE)
- DESIGNATION - CARD FOR EQUIPMENT/FUSE IDENTIFICATION.
- MOUNTING - FLUSH, 4 OR 5 INCH MOUNTING, 16 AND 23 INCH MOUNTING BRACKETS INCLUDED.
- FINNISH - CLEAR ANODIZE STANDARD. OTHER FINISHES AND CUSTOM SILK-SCREENS CAN BE SUPPLIED.
- PANEL CAN BE SUPPLIED WITH FUSES INSTALLED.

SCHOTTKY DIODES



"C SOURCE" CIRCUIT DESCRIPTION

WHEN POWER IS APPLIED TO BOTH GMT INPUTS THE LOAD IS EQUALLY SHARED. IF EITHER INPUT A OR B IS SHUT OFF THE ENTIRE POWER TO BOTH SIDES WILL BE SUPPLIED BY THE REMAINING INPUT. THE INPUT GROUNDS FOR SIDE A AND B ARE INTERNALLY CONNECTED TO ALLOW BOTH SIDES TO OPERATE FROM EITHER INPUT. MAXIMUM CURRENT FOR EITHER SIDE IS 30 AMPS. INPUT POWER REQUIRED FOR EITHER SIDE MUST BE CAPABLE OF THE TOTAL POWER REQUIRED FOR SIDE A AND B COMBINED (60 AMPS MAX).

REVISIONS	DATE	DESCRIPTION	FILE CODE	DRAWING NO.	ISSUE
APPROVED BY	DATE	FUSE PANEL, -48VDC, C-SOURCE INPUT SET SCREW IN/OUT, 30 AMPS MAX/SIDE	B	7570421020	A
CHK BY	DRAWN BY	7282	MKT		
		11/7/95			
		708-362-3700			
		LIBERTYVILLE			
		TRIMM, INC.			
		708-680-3888			
		ILLINOIS			