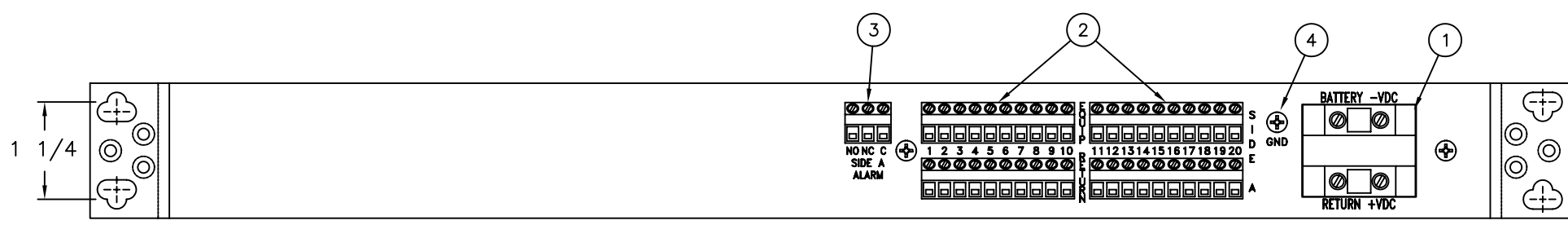


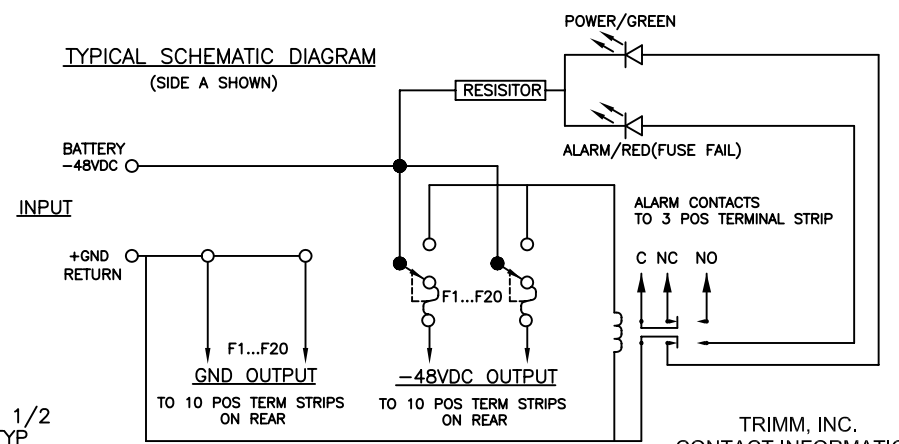
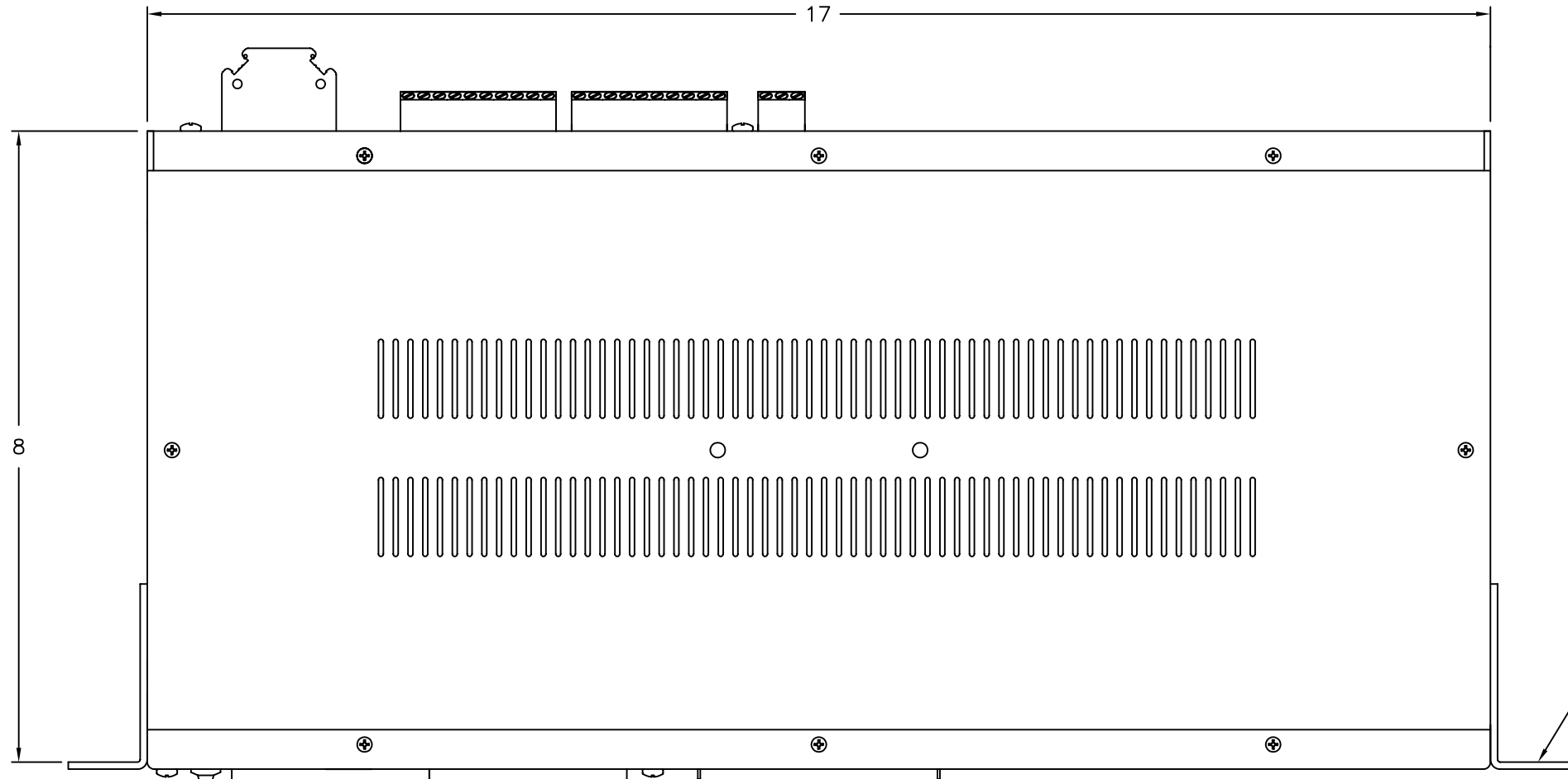
PART NO.	DESCRIPTION
7570420001	-48VDC
7570420002	-24VDC
7570420003	+24VDC
7570420004	+12VDC



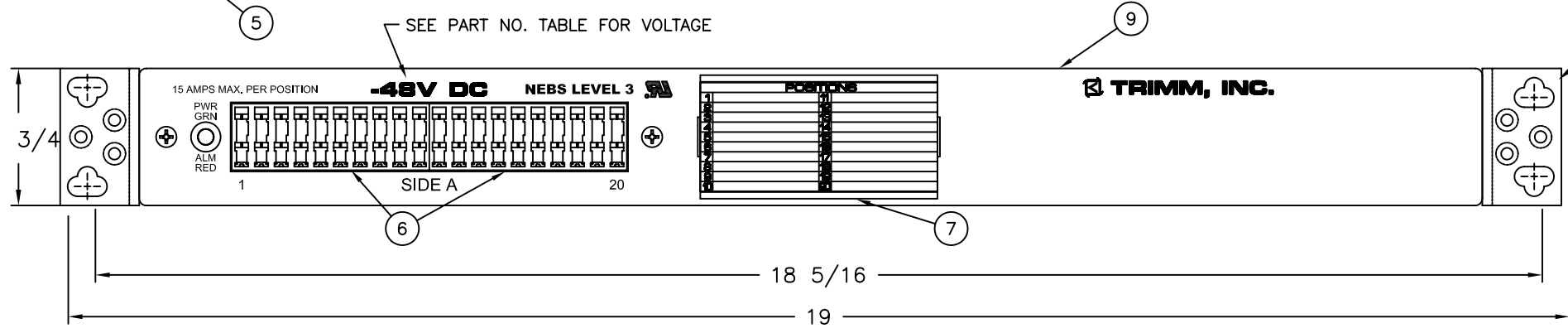
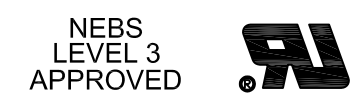
REAR VIEW ROTATED

NOTES:

- 1 - INPUT: SET SCREW STYLE WITH DUAL INPUT - 6 AWG MAX WIRE SIZE. RECOMMENDED TORQUE 14 IN-LBS.
- 2 - EQUIPMENT CONNECTIONS: SET SCREW TYPE ACCEPTS 26-14 AWG. RECOMMENDED TORQUE 8 IN-LBS.
- 3 - ALARM CONTACTS: SET SCREW TYPE ACCEPTS 26-14 AWG. 125VDC OR 125VAC. MAXIMUM SWITCHING POWER 30 WATTS DC OR 60 VA AC (RESISTIVE LOAD). RELAY CHANGES STATE WHEN FUSE FAILS ONLY. RECOMMENDED TORQUE 8 IN-LBS.
- 4 - CHASSIS GROUND CONNECTION SINGLE #6-32 SCREW
- 5 - ALARM/POWER INDICATOR: RED/GREEN LED TYPE.
- 6 - FUSE HOLDER: ACCEPTS GMT TYPE FUSES UP TO 15AMPS PER POSITION (60 AMPS MAX. PER SIDE). OTHER CONFIGURATIONS ALSO AVAILABLE.
- 7 - DESIGNATION: CARD FOR EQUIPMENT/FUSE IDENTIFICATION.
- 8 - MOUNTING: FLUSH, 4 OR 5 INCH MOUNTING. 19 AND 23 INCH MOUNTING BRACKETS INCLUDED (19 SHOWN).
- 9 - FRAME IS .080" ALUMINUM, CLEAR ANODIZED FINISH STANDARD. OTHER FINISHES AND CUSTOM SILKSCREENS CAN BE SUPPLIED.
- 10- PANEL CAN BE SUPPLIED WITH FUSES.



TRIMM, INC.
CONTACT INFORMATION
407 RAILROAD ST.
BUTNER, NC 27509
PHONE: 800-298-7466
FAX: 919-575-6200
WWW.TRIMMINC.COM



The information on this document is proprietary information that is property of Trimm, Inc. and shall not be reproduced or its contents disclosed in any manner whatsoever without the express written consent from Trimm, Inc. Due to continuous product development, specifications may change from those listed. Call Trimm, Inc. for information.

SCALE: NONE TOLERANCES: ±.005, ±1/64, ±.5°

ISSUE: B 12/07/95 LMG ECN#: NONE MAX WAS 30; UPDATED TO NEW STANDARDS	DRAWN BY:	N.J.L.	DATE:	11/07/95	SIZE:	B	DESCRIPTION: OV-BOX 20 SETSCREW IN/OUT 60 AMPS MAX (-48VDC SHOWN)	REV. B
	FILE CODE:	MKT	DRAWING NUMBER:	7570420000m				
	PHONE:	1-919-575-6100				PAGE:	1 OF 1	