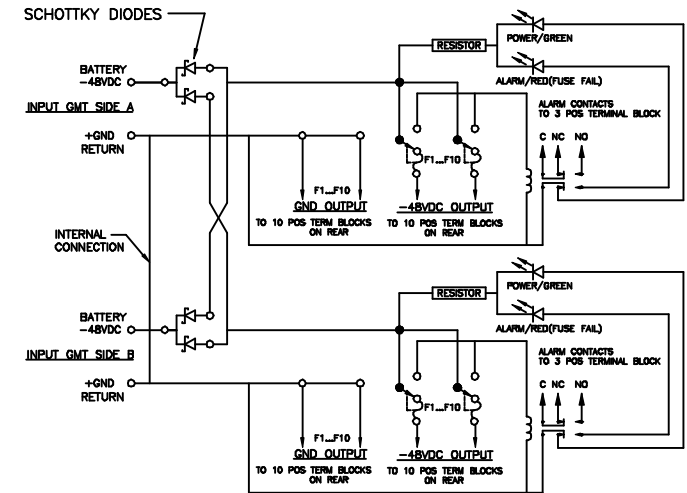


- NOTES:
- ① - INPUT: TWO HOLE STUD TYPE FOR BATTERY INPUT AND GROUND CONNECTION. #6 AWG. COMPRESSION LUGS
 - ② - EQUIPMENT CONNECTIONS: SET SCREW TYPE ACCEPTS 26-14 AWG.
 - ③ - ALARM CONTACTS: SET SCREW TYPE ACCEPTS 26-14 AWG. 125VDC OR 125VAC. MAXIMUM SWITCHING POWER 30 WATTS DC OR 60 VA AC (RESISTIVE LOAD). RELAY CHANGES STATE WHEN FUSE FAILS ONLY.
 - ④ - OTHER EQUIPMENT CONNECTION TYPES AVAILABLE: TAB OR WIRE WRAP
 - ⑤ - ALARM/POWER INDICATOR: RED/GREEN LED TYPE.
 - ⑥ - FUSE HOLDER: ACCEPTS GMT TYPE FUSES UPT 15 AMPS PER POSITION (30 AMPS MAX. PER SIDE). 10, 20, AND 20/20 POSITION BOXES ALSO AVAILABLE.
 - ⑦ - DESIGNATION: CARD FOR EQUIPMENT/FUSE IDENTIFICATION.
 - ⑧ - MOUNTING: FLUSH, 4 OR 5 INCH MOUNTING. 19 AND 23", WECCO/EIA
 - ⑨ - FRAME FINISH IS CLEAR ANODIZED STANDARD. OTHER FINISHES AND CUSTOM SILKSCREENS CAN BE SUPPLIED.
 - 10 - PANEL CAN BE SUPPLIED WITH FUSES INSTALLED.
 - 11 - REAR PLASTIC COVER FOR STUD INPUT



"C SOURCE" CIRCUIT DESCRIPTION

WHEN POWER IS APPLIED TO BOTH GMT INPUTS THE LOAD IS EQUALLY SHARED. IF EITHER INPUT A OR B IS SHUT OFF THE ENTIRE POWER TO BOTH SIDES WILL BE SUPPLIED BY THE REMAINING INPUT. THE INPUT GROUNDS FOR SIDE A AND B ARE INTERNALLY CONNECTED TO ALLOW BOTH SIDES TO OPERATE FROM EITHER INPUT. MAXIMUM CURRENT FOR EITHER SIDE IS 30 AMPS. INPUT POWER REQUIRED FOR EITHER SIDE MUST BE CAPABLE OF THE TOTAL POWER REQUIRED FOR SIDE A AND B COMBINED (60 AMPS MAX).

PART NUMBER	VOLTAGE
7570219021	-48VDC
7570219022	-24VDC
7570219023	+24VDC
7570219024	+12VDC

APPROVED BY	DATE	CHECKED BY	DATE	DRAWN BY	DATE	FUSE PANEL OV-BOX, 10/10, C-SOURCE 30 AMPS MAX/SIDE. -48VDC SHOWN			
				B. B. W. R. C. S. C.	01/25/01	SIZE	FILE CODE	DRAWING NO.	REV/ISSUE
						B	MKT	7570219020	A
						PHONE:	FAX:		
						847-362-3700	847-680-3888		
						TRIMM, INC.			
						LIBERTYVILLE ILLINOIS			