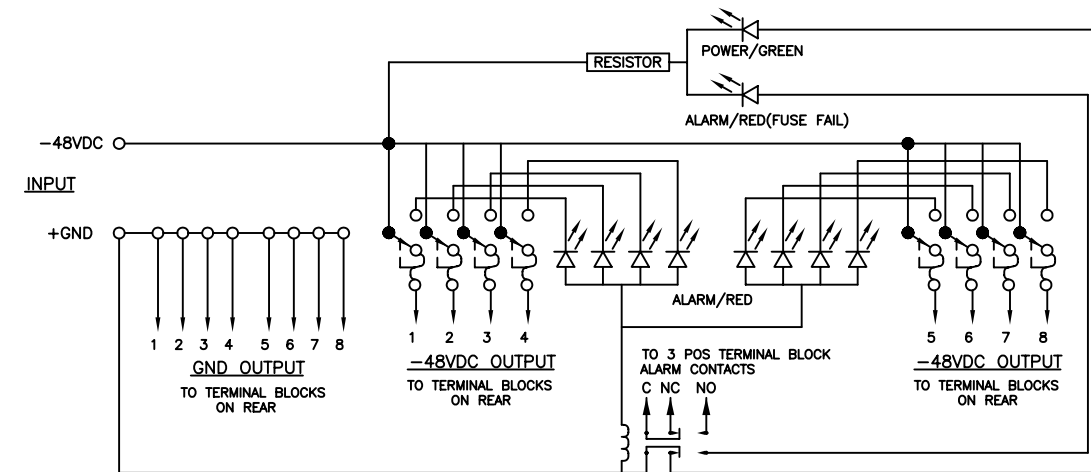


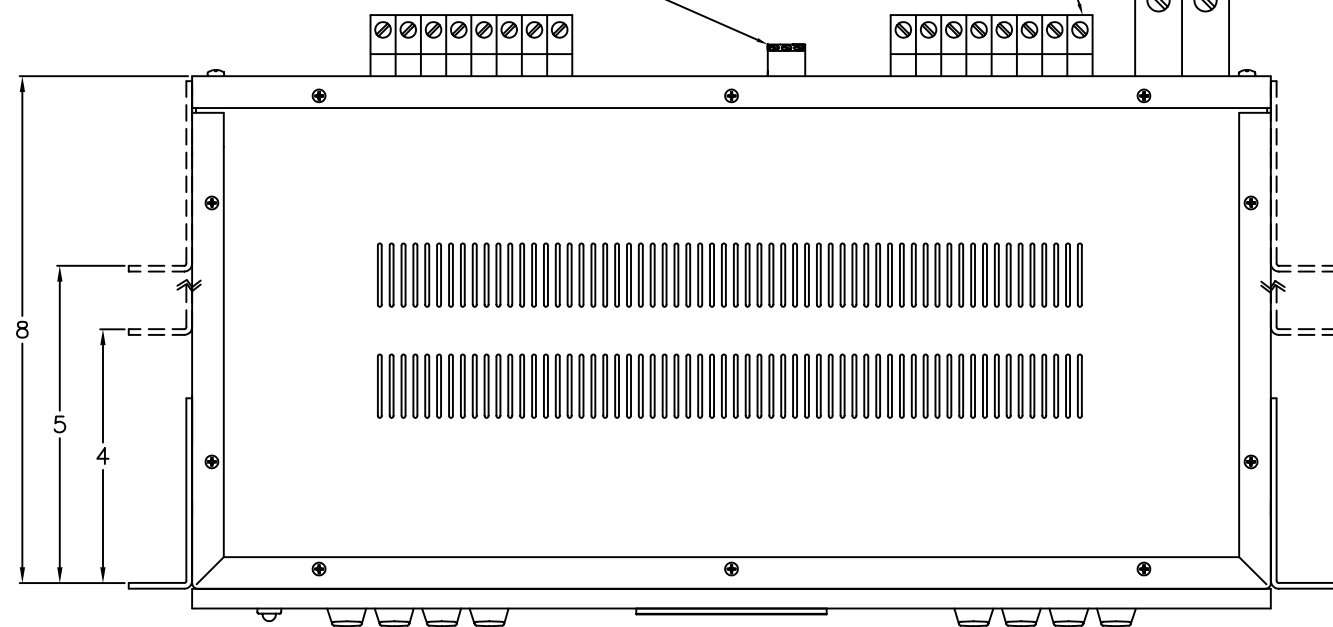
SCHEMATIC DIAGRAM



ALARM TERMINALS-TPA
26-14 AWG WIRE 2 AMPS MAX
RECOMMENDED TORQUE 8 in-lbs

OUTPUT TERMINALS-TPA
22-6 AWG WIRE, 40 AMPS MAX/POSITION
RECOMMENDED TORQUE 16 in-lbs

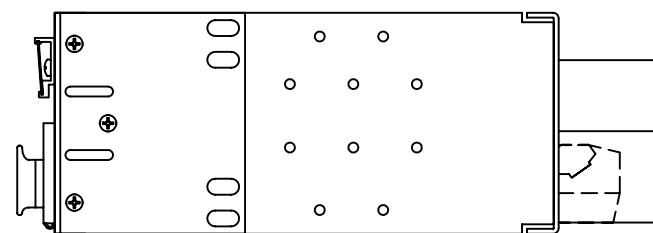
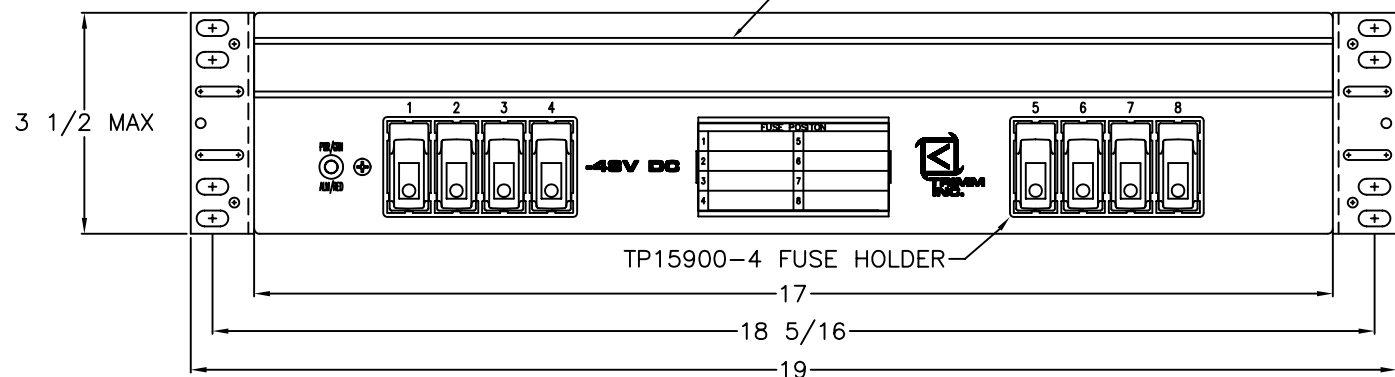
INPUT TERMINALS
6-0 AWG WIRE, 150 AMPS MAX
RECOMMENDED TORQUE 35 in-lbs



TPA
FUSE ORDERING TABLE

AMPERAGE	PART #
3A	7500192003
5A	7500192005
10A	7500192010
15A	7500192015
20A	7500192020
25A	7500192025
30A	7500192030
40	7500192040

DESIGNATION
17 X 15/16



TRIMM, INC.
CONTACT INFORMATION
407 RAILROAD ST.
BUTNER, NC 27509
PHONE: 800-298-7466
FAX: 919-575-6200
WWW.TRIMMINC.COM

NEBS
LEVEL 3
APPROVED

The information on this document is proprietary information that is property of Trimm, Inc. and shall not be reproduced or its contents disclosed in any manner whatsoever without the express written consent from Trimm, Inc. Due to continuous product development, specifications may change from those listed. Call Trimm, Inc. for information.

SCALE: NONE TOLERANCES: ±.005, ±1/64, ±.5°

ISSUE: B ECN#: 04080402 UPDATED BLOCK ADDED LINE ON TPA OUT TOP VIEW	08/04/04	WIN	SIZE	DESCRIPTION: FUSE BOX 4/4 TPA, ONE INPUT -48VDC, 2U	REV. B
	DRAWN BY: A. SEICEANU	DATE: 01/16/96	B		
	PHONE 1-919-575-6100	FILE CODE MKT	DRAWING NUMBER: 7570215601m		
TRIMM, INC.				PAGE: 1 OF 1	