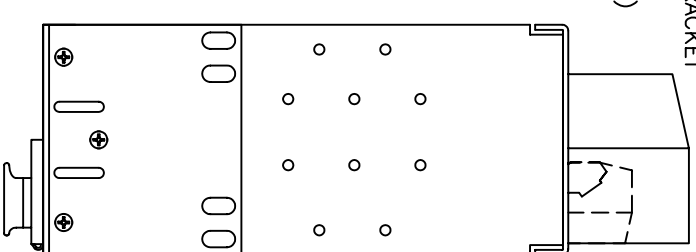
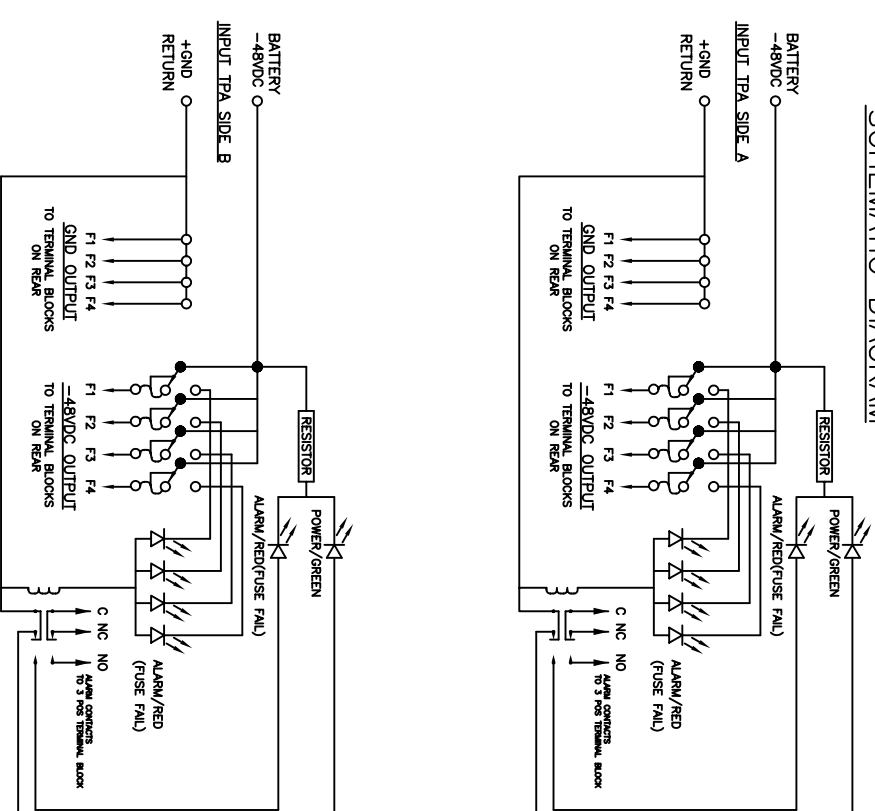


FLUSH, 4 OR 5 INCH RECESS MOUNTING



SCHEMATIC DIAGRAM



NOTES:

- 1-INPUT UP TO 150 AMPS PER SIDE
- 2-OUTPUT UP TO 50 AMPS PER SIDE
- 3-FUSES ARE NOT INCLUDED
- 4-CHASSIS: ALUMINUM, CLEAR ANODIZED

TPA

FUSE ORDERING TABLE

AMPERAGE	PART #
3A	7500192003
5A	7500192005
10A	7500192010
15A	7500192015
20A	7500192020
25A	7500192025
30A	7500192030
40A	7500192040
50A	7500192050

NEBS LEVEL 3 APPROVED

TRIMM, INC.
 CONTACT INFORMATION
 407 RAILROAD ST.
 BUTNER, NC 27509
 PHONE: 800-298-7466
 FAX: 919-575-6200
 WWW.TRIMMINC.COM

The information on this document is proprietary information that is property of Trimm, Inc. and shall not be reproduced or its contents disclosed in any manner whatsoever without the express written consent from Trimm, Inc. Due to continuous product development, specifications may change from those listed. Call Trimm, Inc. for information.

SCALE: NONE

TOLERANCES: ±.005, ±.1/64, ±.5°

ISSUE: B 8/4/04 WN
 ECN#: 04080401
 UPDATED BLOCK
 DELETED GMT FROM TOP VIEW
 DELETED GMT IN FROM TOP VIEW

DRAWN BY: A.SEICEANU		DATE: 10/11/00	
PHONE 1-919-575-6100	FILE CODE MKT	DRAWING NUMBER: 7570214501m	
SIZE B		DESCRIPTION: FUSE BOX TPA 4/4, W/O FUSES 2 ALARM, 3.5" H	
REV. B		PAGE: 1 OF 1	

TRIMM, INC.

1 2 3 4 5 6 7 8 9 10 11 12 13 14 15 16

A B C D E F G H I J