

GMT

FUSE ORDERING TABLE

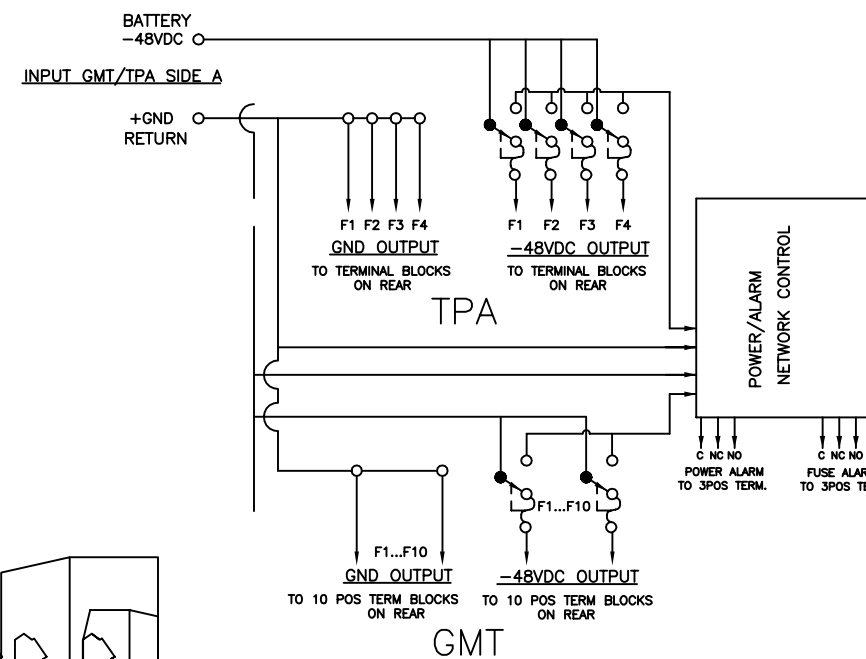
AMPERAGE	PART #
.18A	0300097000
1/4A	0300097001
1/2A	0300097002
3/4A	0300097003
1A	0300097004
1-1/3A	0300097005
1-1/2A	0300097006
2A	0300097007
3A	0300097008
3-1/2A	0300097013
4A	0300097012
5A	0300097009
7-1/2A	0300097011
10A	0300097010
12A	0300097014
15A	0300097015
DUMMY	0300097100

TPA

FUSE ORDERING TABLE

AMPERAGE	PART #
3A	7500192003
5A	7500192005
10A	7500192010
15A	7500192015
20A	7500192020
25A	7500192025
30A	7500192030
40A	7500192040
50A	7500192050

SCHEMATIC DIAGRAM-TYPICAL



AMPERAGE TABLE

TOTAL RECOMMENDED UNIT CAPACITY	200 AMPS PER SIDE MAX. GMT AND TPA
TOTAL RECOMMENDED GMT FUSE CAPACITY	60 AMPS PER SIDE MAX. 15 AMPS PER POSITION MAX.
TOTAL RECOMMENDED TPA FUSE CAPACITY	200 AMPS MINUS GMT SIDE AT NOMINAL CONTINUOUS RATE

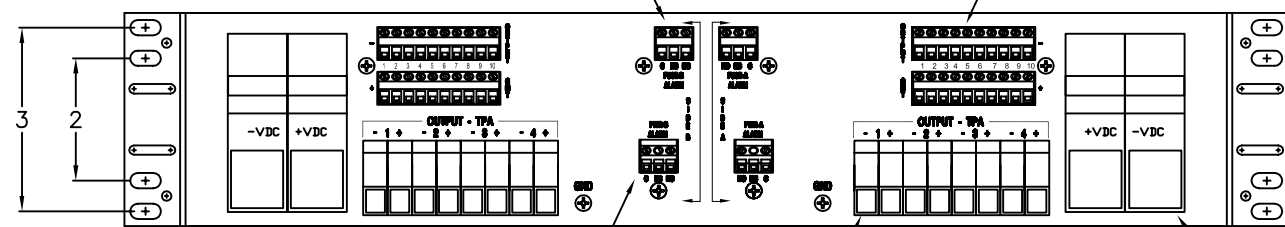
NOTES:

- INPUT: SCREW CLAMP CONNECTOR 4/0 AWG , 200A/SIDE
- OUTPUT
  - FROM TPA, SCREW CLAMP TYPE (UP TO 50A/POS)
  - FROM GMT. SCREW CLAMP TYPE (UP TO 15A/POS)
- ALARM:
  - POWER/FUSE FRONT PCB REMOVABLE
  - WHEN POWER ON, GREEN LED IS ON; TURNS OFF WHEN POWER FAILS
  - WHEN FUSE IS GOOD LED IS OFF; TURNS RED WHEN FUSE FAILS
  - REAR REMOTE ALARM FOR POWER FAIL AND FUSE FAIL; SCREW TYPE C/NC/NO
- MOUNTING: 19/23" RACK, WECO/EIA BRACKETS, FLUSH, 4" OR 5"
- CHASSIS GROUND #10-32 SCREW
- FINISH: POWDER COATED COLOR BLACK
- FUSES ARE NOT INCLUDED. TO ORDER FUSES SEE TABLES SHOWN ABOVE.
- FOR SPECIFIC COMPONENT RATINGS CONTACT TRIMM, INC.

ALARM FUSE GMT/TPA-B  
26-14 AWG WIRE  
2 AMPS MAX/POS.  
RECOMMENDED TORQUE 4 in-lbs

OUTPUT TERMINALS-GMT  
26-14 AWG WIRE, 15 AMPS MAX/POS.  
RECOMMENDED TORQUE 4 in-lbs

REAR VIEW ROTATED

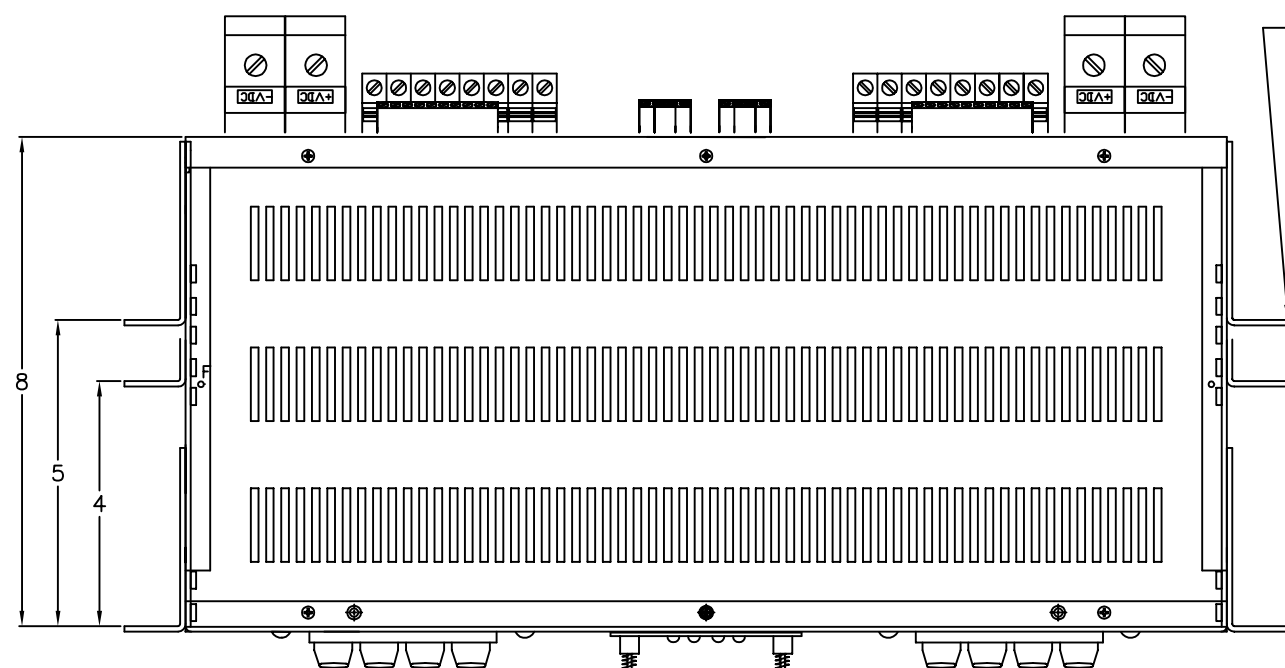


ALARM POWER GMT/TPA-B  
26-14 AWG WIRE 2 AMPS MAX  
RECOMMENDED TORQUE 4 in-lbs

OUTPUT TERMINALS-TPA  
22-6 AWG WIRE  
50 AMPS MAX/POS.  
RECOMMENDED TORQUE 16 in-lbs

INPUT TERMINALS-GMT/TPA (hdfk95)  
4 TO 4/0 AWG WIRE, 200 AMPS MAX  
RECOMMENDED TORQUE 175 in-Lbs

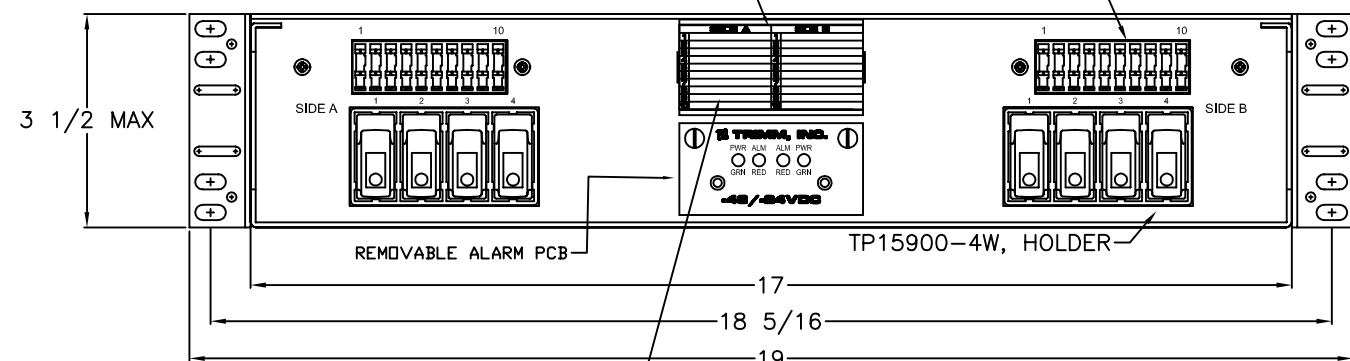
UNIVERSAL 19/23 INCH BRACKET  
MUST BE USED AS  
REAR SUPPORT BRACKET  
WHEN FLUSH MOUNTING (4)



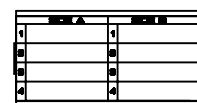
FLUSH, 4 OR 5 INCH  
RECESS MOUNTING

DESIGNATION CARDS GMT/TPA

GMT FUSE HOLDER



TPA DESIGNATION CARD IS  
IN THE SAME HOLDER WITH GMT  
DESIGNATION CARD



APPROVED BY	DATE	CHECKED BY	DATE	DRAWN BY	DATE	FUSE BOX, 10/10GMT,4/4TPA- 400A PWR & FUSE ALARM, -48VDC,3.5H			
				A. Seiceanu	2-11-02	SIZE	FILE CODE	DRAWING NO.	REV/ISSUE
						B	MKT	7570210753	A
						PHONE:	FAX:		
						847-362-3700	847-680-3888		
						LIBERTYVILLE	<b>TRIMM, INC.</b>		ILLINOIS