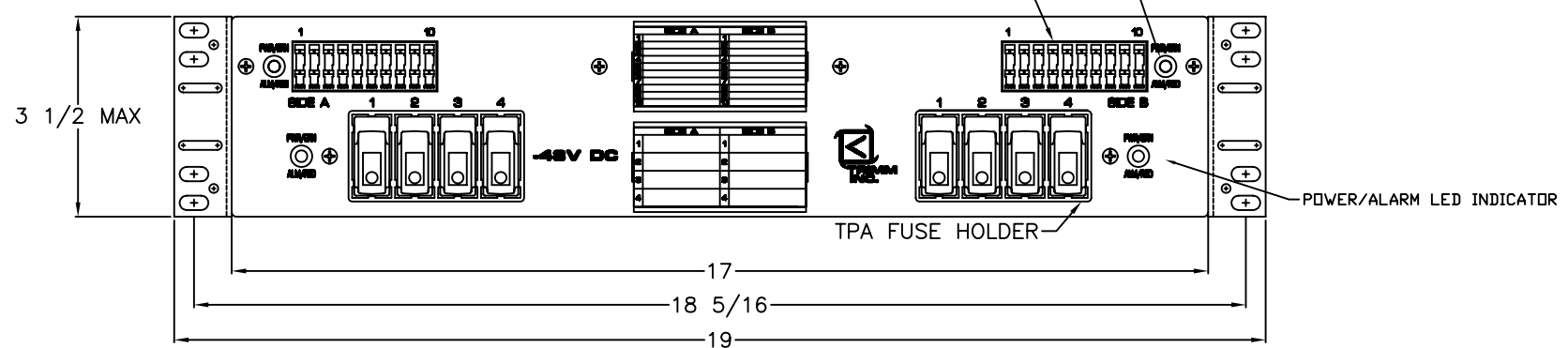


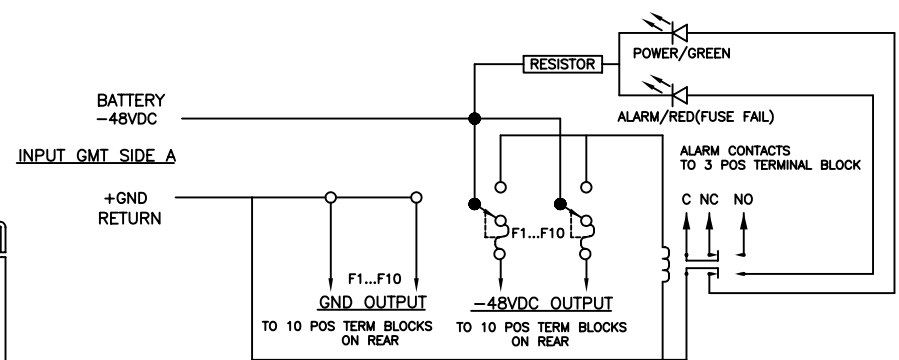
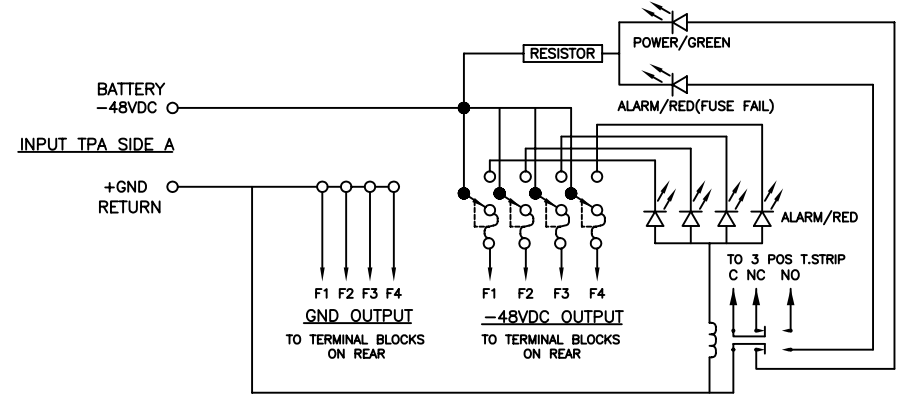
POWER/ALARM LED INDICATOR
 GMT FUSE HOLDER
 FLUSH, 4 OR 5 INCH RECESS MOUNTING



AMPERAGE TABLE

TOTAL RECOMMENDED UNIT CAPACITY	150 AMPS PER SIDE MAX. GMT AND TPA
TOTAL RECOMMENDED GMT FUSE CAPACITY	60 AMPS PER SIDE MAX. 15 AMPS PER POSITION MAX.
TOTAL RECOMMENDED TPA FUSE CAPACITY	150 AMPS MINUS GMT SIDE AT NOMINAL CONTINUOUS RATE

SCHEMATIC DIAGRAM-TYPICAL



TPA FUSE ORDERING TABLE

AMPERAGE	PART #
3A	7500192003
5A	7500192005
10A	7500192010
15A	7500192015
20A	7500192020
25A	7500192025
30A	7500192030
40A	7500192040
50A	7500192050

GMT FUSE ORDERING TABLE

AMPERAGE	PART #
.18A	0300097000
1/4A	0300097001
1/2A	0300097002
3/4A	0300097003
1A	0300097004
1-1/3A	0300097005
1-1/2A	0300097006
2A	0300097007
3A	0300097008
3-1/2A	0300097013
4A	0300097012
5A	0300097009
7-1/2A	0300097011
10A	0300097010
12A	0300097014
15A	0300097015
DUMMY	0300097100

ISSUE: C 1-15-04
 ECN#: NEW PRODUCT
 UPDATED P/N
 ADDED 50A TPA FUSE
 ISSUE: C 7-19-99
 ECN#: NEW PRODUCT
 ADDED FUSE TABLES
 SCHEMATIC CORRECTION
 APPROVED BY DATE
 CHECKED BY DATE
 DRAWN BY DATE
 A. Seiceanu 5-18-99

FUSE BOX, 10/10 GMT, 4/4 TPA
 SEPARATE INPUT GMT/TPA, -48VDC

SIZE	FILE CODE	DRAWING NO.	REV/ISSUE
B	MKT	7570210603	C

PHONE: 847-362-3700
 LIBERTYVILLE

FAX: 847-680-3888
TRIMM, INC.
 ILLINOIS