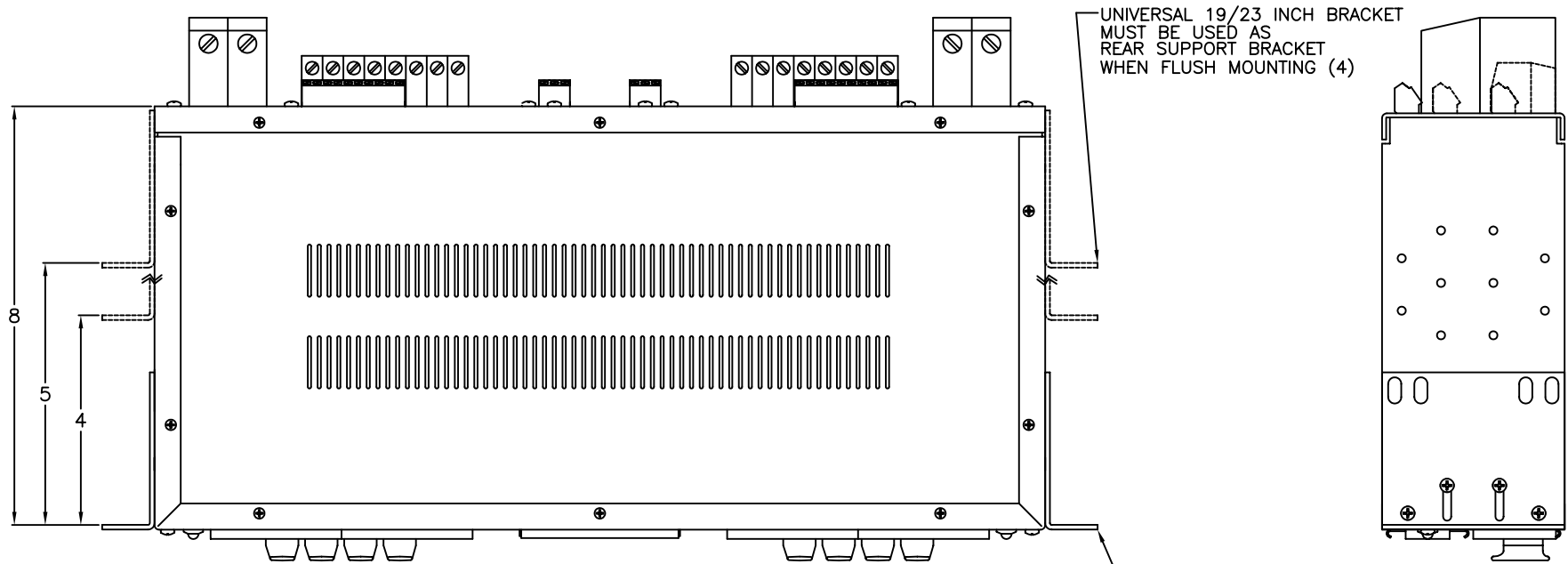
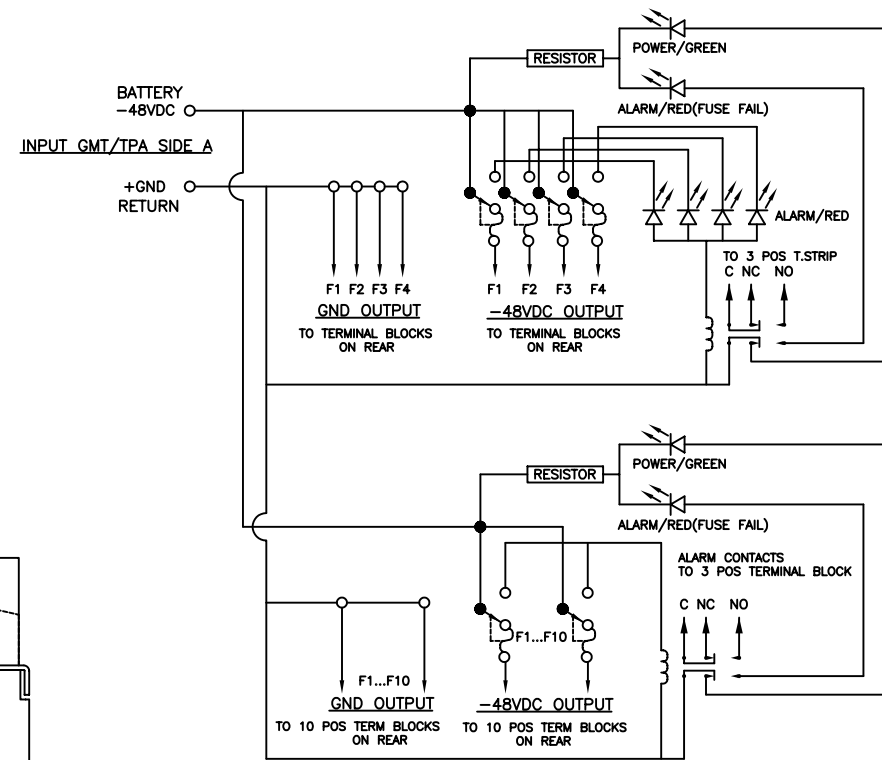
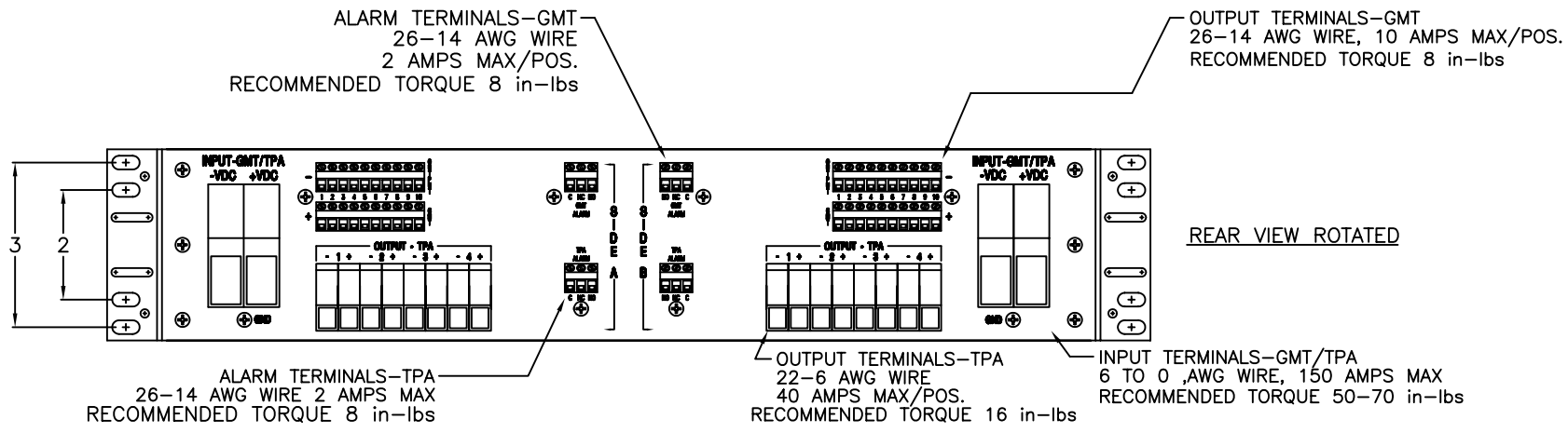


**SCHEMATIC DIAGRAM-TYPICAL**



**GMT FUSE ORDERING TABLE**

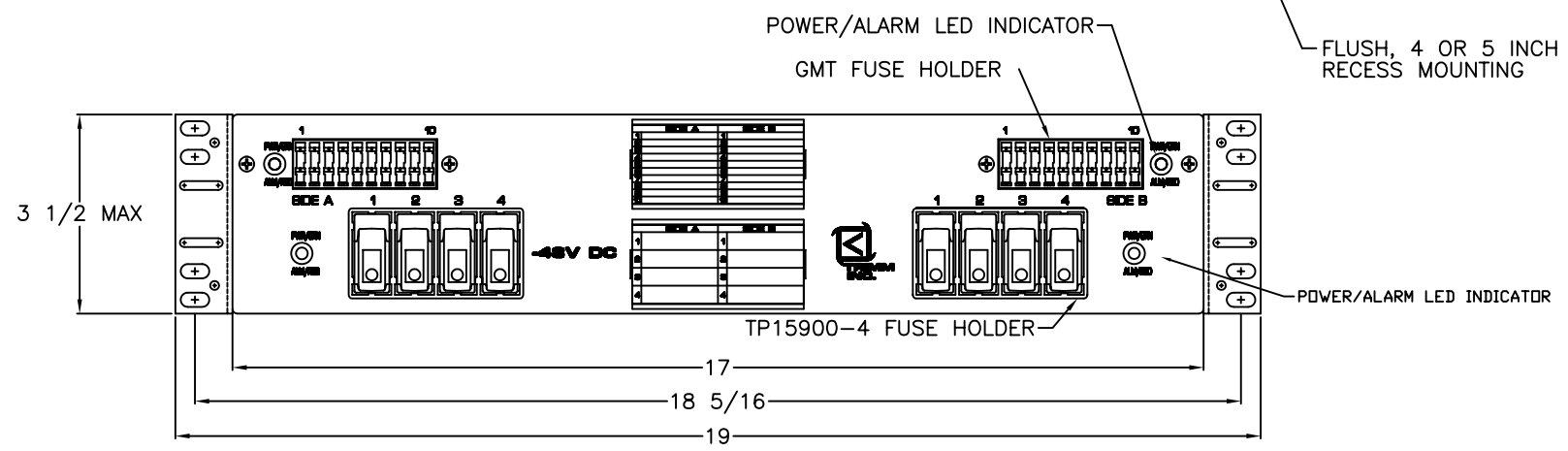
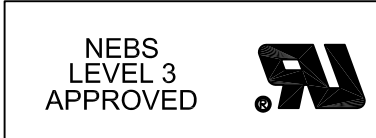
AMPERAGE	PART #
.18A	0300097000
1/4A	0300097001
1/2A	0300097002
3/4A	0300097003
1A	0300097004
1-1/3A	0300097005
1-1/2A	0300097006
2A	0300097007
3A	0300097008
3-1/2A	0300097013
4A	0300097012
5A	0300097009
7-1/2A	0300097011
10A	0300097010
12A	0300097014
15A	0300097015
DUMMY	0300097100

**TPA FUSE ORDERING TABLE**

AMPERAGE	PART #
3A	7500192003
5A	7500192005
10A	7500192010
15A	7500192015
20A	7500192020
25A	7500192025
30A	7500192030
40	7500192040

TRIMM, INC.  
CONTACT INFORMATION  
407 RAILROAD ST.  
BUTNER, NC 27509  
PHONE: 800-298-7466  
FAX: 919-575-6200  
WWW.TRIMMINC.COM

NOTE: TPA FUSES ARE NOT INCLUDED WITH THIS PANEL  
FUSES CAN BE ORDER PER TABLES ABOVE



**AMPERAGE TABLE**

TOTAL RECOMMENDED UNIT CAPACITY	150 AMPS PER SIDE MAX. GMT AND TPA
TOTAL RECOMMENDED GMT FUSE CAPACITY	60 AMPS PER SIDE MAX. 15 AMPS PER POSITION MAX.
TOTAL RECOMMENDED TPA FUSE CAPACITY	150 AMPS MINUS GMT SIDE AT NOMINAL CONTINUOUS RATE

The information on this document is proprietary information that is property of Trimm, Inc. and shall not be reproduced or its contents disclosed in any manner whatsoever without the express written consent from Trimm, Inc. Due to continuous product development, specifications may change from those listed. Call Trimm, Inc. for information.

SCALE: NONE TOLERANCES: ±.005, ±1/64, ±.5°

DRAWN BY: B.BURCH	DATE: 08/28/01	SIZE <b>B</b>	DESCRIPTION: FUSE BOX, 10/10 GMT, 4/4 TPA COMMON INPUT GMT/TPA, -48VDC, 3.5H	REV. <b>A</b>
		FILE CODE <b>MKT</b>		
		DRAWING NUMBER: <b>7570210503</b>		PHONE: 1-919-575-6100

**TRIMM, INC.**