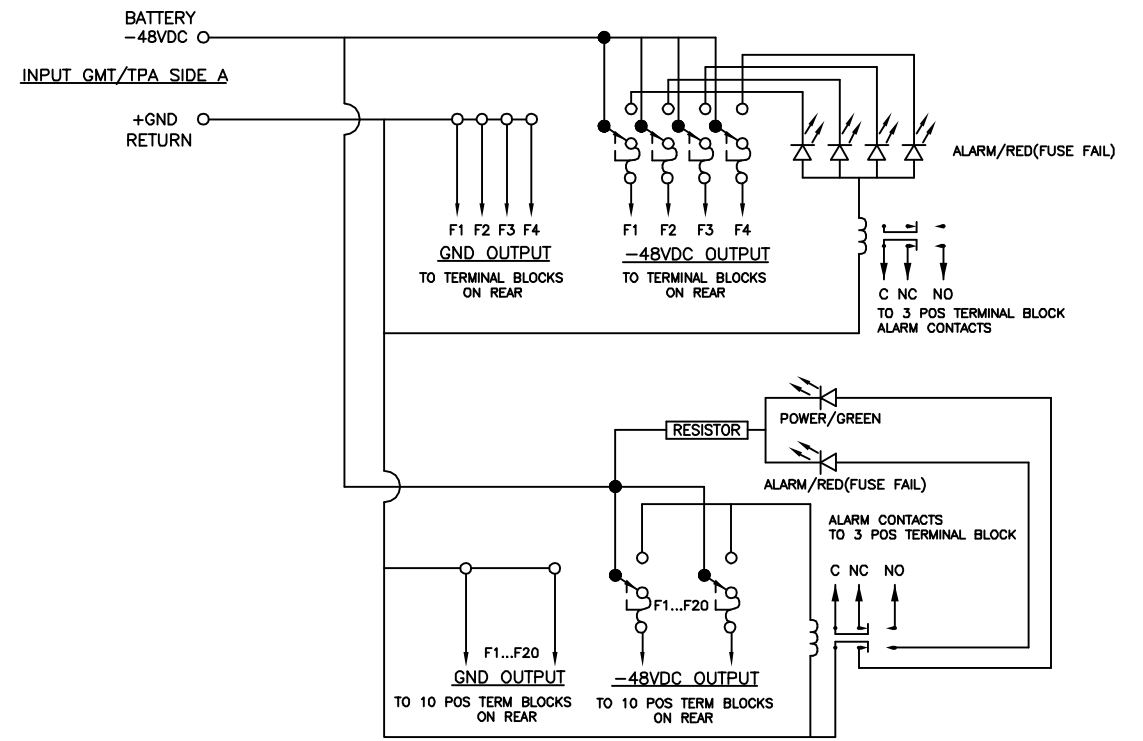


AMPERAGE TABLE

TOTAL RECOMMENDED UNIT CAPACITY	150 AMPS PER SIDE MAX. GMT AND TPA
TOTAL RECOMMENDED GMT FUSE CAPACITY	60 AMPS PER SIDE MAX. 15 AMPS PER POSITION MAX.
TOTAL RECOMMENDED TPA FUSE CAPACITY	150 AMPS MINUS GMT SIDE AT NOMINAL CONTINUOUS RATE

SCHEMATIC DIAGRAM



TPA FUSE ORDERING TABLE

AMPERAGE	PART #
3A	7500192003
5A	7500192005
10A	7500192010
15A	7500192015
20A	7500192020
25A	7500192025
30A	7500192030
40A	7500192040
50A	7500192050

GMT FUSE ORDERING TABLE

AMPERAGE	PART #
.18A	0300097000
1/4A	0300097001
1/2A	0300097002
3/4A	0300097003
1A	0300097004
1-1/3A	0300097005
1-1/2A	0300097006
2A	0300097007
3A	0300097008
3-1/2A	0300097013
4A	0300097012
5A	0300097009
7-1/2A	0300097011
10A	0300097010
12A	0300097014
15A	0300097015
DUMMY	0300097100

NOTE: FUSES ARE NOT INCLUDED AND MUST BE ORDERED SEPARATELY (SEE TABLE)

APPROVED BY	DATE	CHECKED BY	DATE	DRAWN BY	DATE	<p align="center">FUSE BOX, 20/20 GMT, 4/4 TPA W/O C-SOURCE, 19" X 3.5' (NO FUSES)</p>			
				<i>B. BURCH</i>	08/13/01	SIZE	FILE CODE	DRAWING NO.	REV/ISSUE
						B	MKT	7570210502	A
						PHONE:		FAX:	
						847-362-3700		847-680-3888	
						LIBERTYVILLE	TRIMM, INC.		ILLINOIS