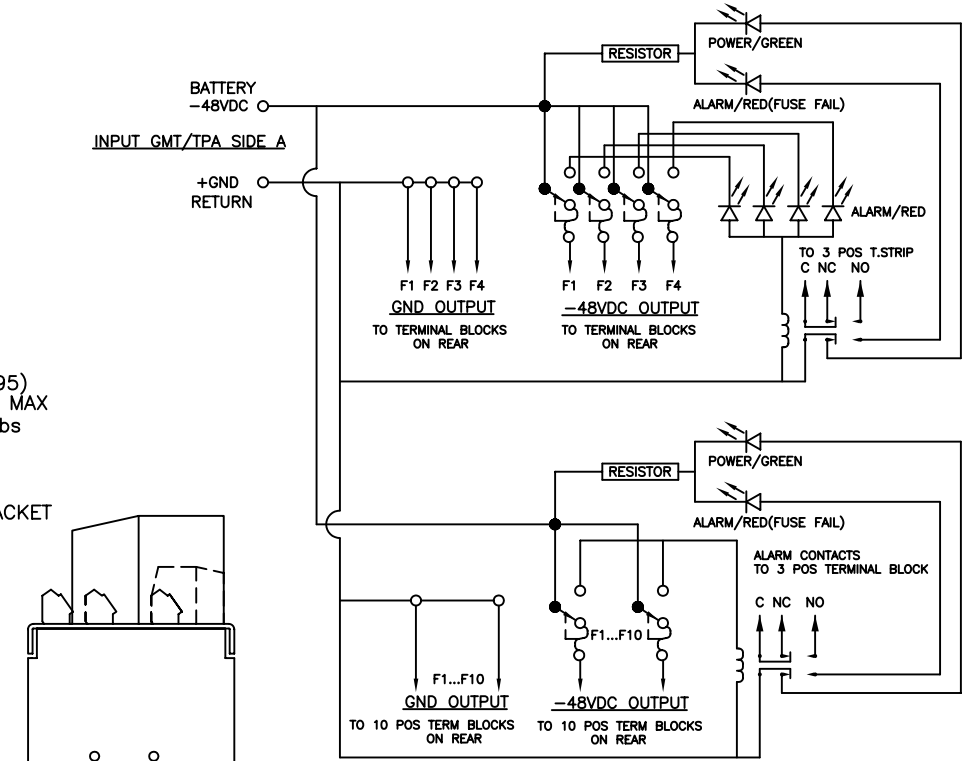


SCHEMATIC DIAGRAM-TYPICAL



GMT FUSE ORDERING TABLE

AMPERAGE	PART #
.18A	0300097000
1/4A	0300097001
1/2A	0300097002
3/4A	0300097003
1A	0300097004
1-1/3A	0300097005
1-1/2A	0300097006
2A	0300097007
3A	0300097008
3-1/2A	0300097013
4A	0300097012
5A	0300097009
7-1/2A	0300097011
10A	0300097010
12A	0300097014
15A	0300097015
DUMMY	0300097100

TPA FUSE ORDERING TABLE

AMPERAGE	PART #
3A	7500192003
5A	7500192005
10A	7500192010
15A	7500192015
20A	7500192020
25A	7500192025
30A	7500192030
40A	7500192040
50A	7500192050

AMPERAGE TABLE

TOTAL RECOMMENDED UNIT CAPACITY	200 AMPS PER SIDE MAX. GMT AND TPA
TOTAL RECOMMENDED GMT FUSE CAPACITY	60 AMPS PER SIDE MAX. 15 AMPS PER POSITION MAX.
TOTAL RECOMMENDED TPA FUSE CAPACITY	200 AMPS MINUS GMT SIDE AT NOMINAL CONTINUOUS RATE

- NOTES:  
 1-INPUT: SCREW CLAMP CONNECTOR RATED TO 230 AMP (UL)  
 2-OUTPUT:  
 2.1-TPA, SCREW CLAMP RATED TO 65 AMP (UL)  
 2.2-GMT, SCREW CLAMP RATED TO 17 AMP (UL)  
 3-ALARM: -FRONT GRN/RED LED FOR FUSE FAIL, TPA & GMT  
 -REAR 3 POS SCREW CLAMP (C/NC/NO) , TPA & GMT  
 4-MOUNTING: 19/23" UNIVERSAL BRACKET, WECC/EIA  
 5-FINISH: BLACK POWDER COATED  
 6-FUSES ARE NOT INCLUDED..MUST BE ORDER PER TABLES ABOVE

TRIMM, INC.  
 CONTACT INFORMATION  
 407 RAILROAD ST.  
 BUTNER, NC 27509  
 PHONE: 800-298-7466  
 FAX: 919-575-6200  
 WWW.TRIMMINC.COM



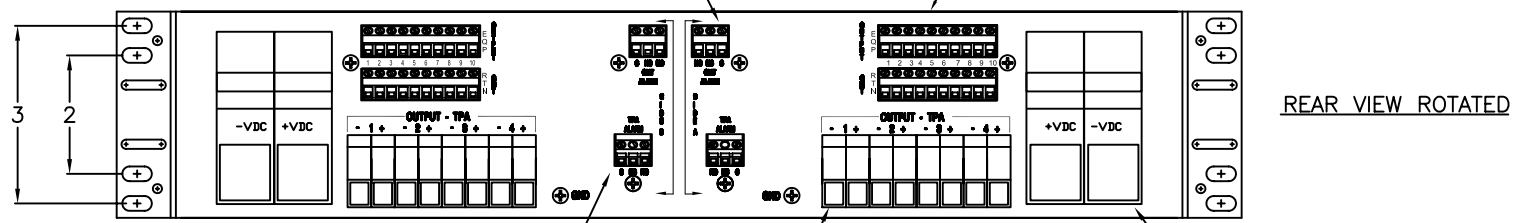
The information on this document is proprietary information that is property of Trimm, Inc. and shall not be reproduced or its contents disclosed in any manner whatsoever without the express written consent from Trimm, Inc. Due to continuous product development, specifications may change from those listed. Call Trimm, Inc. for information.

SCALE: NONE TOLERANCES: ±.005, ±1/64, ±.5°

ISSUE: E 07/30/04 ECN#: 04073001 UPDATED BORDER CLEANED UP DRAWING ISSUE: D 07/18/01 ECN#: 01071801 ADDED NOTES	DRAWN BY: B.BURCH	DATE: 03/11/04	SIZE B	DESCRIPTION: FUSE BOX, 10/10 GMT, 4/4 TPA - 50A/POS COMMON INPUT GMT/TPA, -48VDC, 3.5"H	REV. E
	FILE CODE MKT	DRAWING NUMBER: 7570210153m			
	PHONE 1-919-575-6100			TRIMM, INC.	

ALARM TERMINALS-GMT  
 26-14 AWG WIRE  
 2 AMPS MAX/POS.  
 RECOMMENDED TORQUE 4 in-lbs

OUTPUT TERMINALS-GMT  
 26-14 AWG WIRE, 15 AMPS MAX/POS.  
 RECOMMENDED TORQUE 4 in-lbs



ALARM TERMINALS-TPA  
 26-14 AWG WIRE 2 AMPS MAX  
 RECOMMENDED TORQUE 4 in-lbs

OUTPUT TERMINALS-TPA  
 22-6 AWG WIRE  
 50 AMPS MAX/POS.  
 RECOMMENDED TORQUE 16 in-lbs

INPUT TERMINALS-GMT/TPA (hdfk95)  
 4 TO 4/0 AWG WIRE, 200 AMPS MAX  
 RECOMMENDED TORQUE 175 in-Lbs

