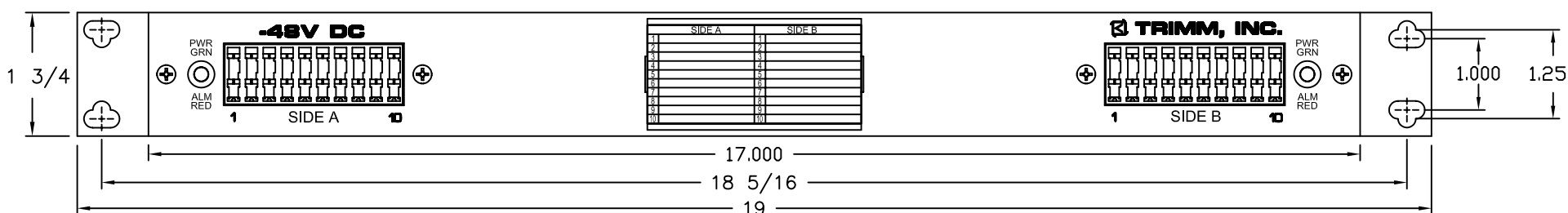
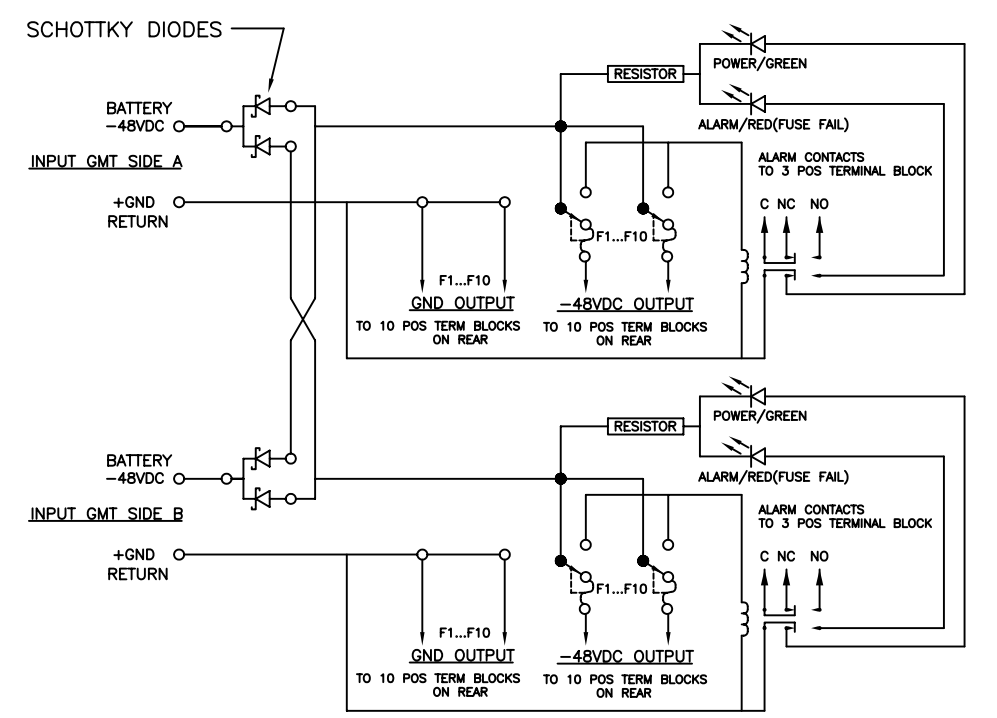


TRIMM, INC. MM-DD-YY  
 PN 7570198201  
 LOT XXXXXX SN XXXX  
 -48VDC 30 AMPS MAX/SIDE  
 BRADY LABEL DAT-48-969



"C SOURCE" CIRCUIT DESCRIPTION

WHEN POWER IS APPLIED TO BOTH INPUTS THE LOAD IS EQUALLY SHARED. IF EITHER INPUT A OR B IS SHUT OFF THE ENTIRE POWER TO BOTH SIDES WILL BE SUPPLIED BY THE REMAINING INPUT. THE INPUT GROUNDS FOR SIDE A AND B MUST BE EXTERNALLY CONNECTED BY THE USER FOR BOTH SIDES TO OPERATE FROM EITHER INPUT. MAXIMUM CURRENT FOR EITHER SIDE IS 30 AMPS. INPUT POWER REQUIRED FOR EITHER SIDE MUST BE CAPABLE OF THE TOTAL POWER REQUIRED FOR SIDE A AND B COMBINED (60 AMPS MAX). EXTERNAL PROTECTION MUST BE PROVIDED FOR BOTH INPUTS AND MUST NOT EXCEED 30 AMPS FOR EACH SIDE.



- NOTE:
1. BATTERY INPUT: TWO 1/4" x 20 TIN PLATED BRASS STUDS FOR EACH BATTERY INPUT CONNECTION. TWO HOLE COMPRESSION LUG PROVIDED (6 AWG).
  2. TERMINAL STRIP FOR RELAY CONTACTS. TWO AMP MAX; MAX SWITCHING VOLTAGE 125 VDC OR 125 VAC; MAX SWITCHING POWER 30 WATTS DC OR 60 VA AC (RESISTIVE LOAD).
  3. FUSED EQUIPMENT TERMINAL STRIPS FOR BATTERY AND GROUND. VINYL INSULATED TERMINALS PROVIDED (14-16 AWG).
  4. TOP AND BOTTOM COVER, .062 ALUMINUM.
  5. FUSE HOLDER, ACCEPTS GMT STYLE FUSES UP TO 15 AMPS.
  6. DESIGNATION STRIP FOR EQUIPMENT IDENTIFICATION
  7. PWR/GRN, ALM/RED LED INDICATES FUSE STATUS
  8. FLUSH, 4 OR 5 INCH MOUNTING.
  9. CLEAR ANODIZE FINISH. OTHER FINISH AVAILABLE

SCALE: NONE, TOL. ±.005, ± 1/64

REVISIONS	APPROVED BY	DATE	FUZE BOX 10/10, C SOURCE, -48VDC STUD IN/SCREW OUT, 30A MAX/SIDE	
	CK. BY:	DRAWN BY:	SIZE	FILE CODE
		A. S. C. C. E. A. 9-03-96	B	MKT
			DRAWING NO.	ISSUE
			7570198201	E
			<b>TRIMM INC.</b>	
			LIBERTYVILLE	ILLINOIS