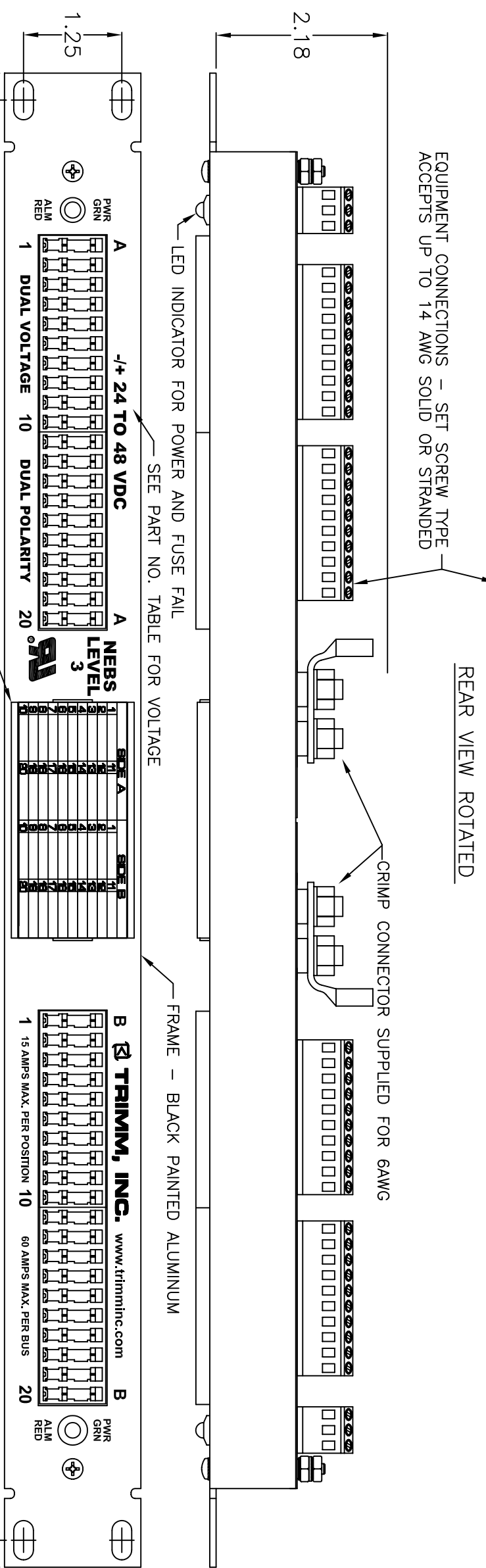
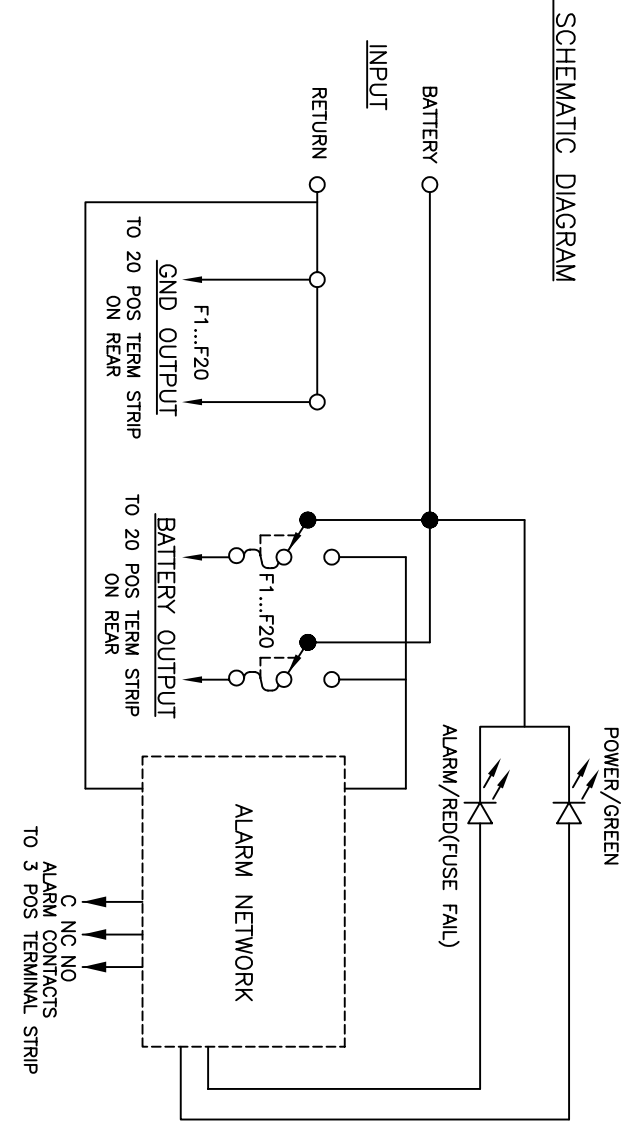


PART NO.	VOLTAGE
7570031201	+/- 24 to 48VDC
7570031202	+/- 12 to 24VDC



AMPERAGE	PART NUMBER
.18A	0300097000
1/4A	0300097001
1/2A	0300097002
3/4A	0300097003
1A	0300097004
1-1/3A	0300097005
1-1/2A	0300097006
2A	0300097007
3A	0300097008
3-1/2A	0300097013
4A	0300097012
5A	0300097009
7-1/2A	0300097011
10A	0300097010
12A	0300097014
15A	0300097015
DUMMY	0300097100

TYPICAL SCHEMATIC DIAGRAM



- OTHER AVAILABLE FEATURES/OPTIONS:
1. CUSTOM VOLTAGES AVAILABLE
  2. 10, 10/10 AND 20 POSITIONS
  3. CUSTOM FINISHES AVAILABLE
  4. CUSTOM SILKSCREEN OR LOGOS
  5. FOR 23" RACK MOUNT ORDER ADAPTER KIT (7500116711)



TRIMM, INC.  
 CONTACT INFORMATION  
 407 RAILROAD ST.  
 BUTNER, NC 27509  
 PHONE: 800-298-7466  
 FAX: 919-575-6200  
 WWW.TRIMMINC.COM

The information on this document is proprietary information that is property of Trimm, Inc. and shall not be reproduced or its contents disclosed in any manner whatsoever without the express written consent from Trimm, Inc. Due to continuous product development, specifications may change from those listed. Call Trimm, Inc. for information.

SCALE: NONE TOLERANCES: ±.005 .±1/64 .±.5°

DRAWN BY:		W.NEWTON	
DATE:		05/18/04	
SIZE	DESCRIPTION:	FILE CODE	DRAWING NUMBER:
B	GMT FUSE PANEL OPTIMUM VALUE, 20/20 DUAL VOLT/POLARITY, STUD IN, SS OUT	MKT	7570031200m
REV.			A
PAGE:			1 OF 1

**TRIMM, INC.**