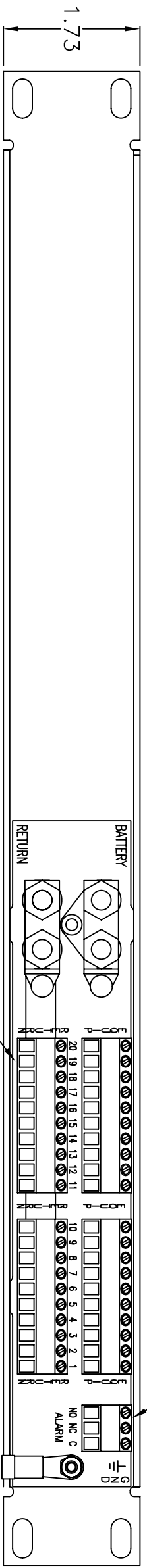


ISOLATED RELAY CONTACTS FOR REMOTE FUSE FAIL SENSING

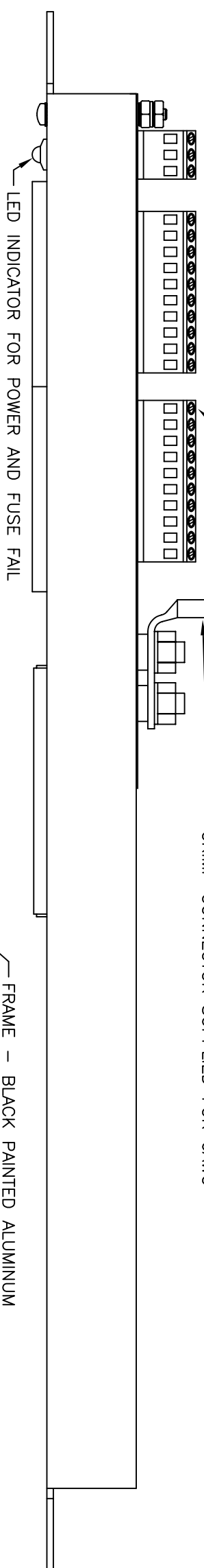
| PART NO.   | VOLTAGE         |
|------------|-----------------|
| 7570030201 | +/- 24 to 48VDC |
| 7570030202 | +/- 12 to 24VDC |



REAR VIEW ROTATED

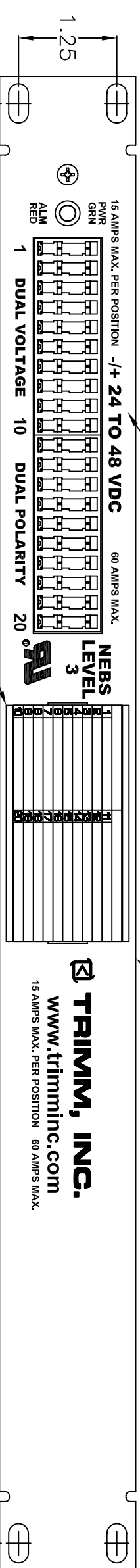
EQUIPMENT CONNECTIONS - SET SCREW TYPE ACCEPTS UP TO 14 AWG SOLID OR STRANDED

CRIMP CONNECTOR SUPPLIED FOR 6AWG



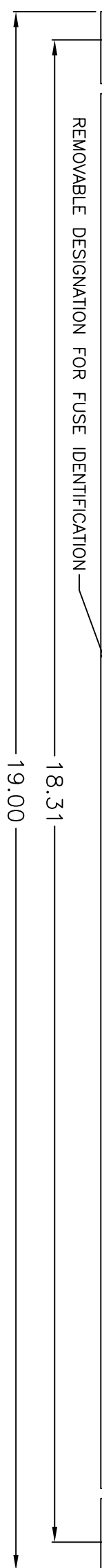
LED INDICATOR FOR POWER AND FUSE FAIL  
SEE PART NO. TABLE FOR VOLTAGE

FRAME - BLACK PAINTED ALUMINUM

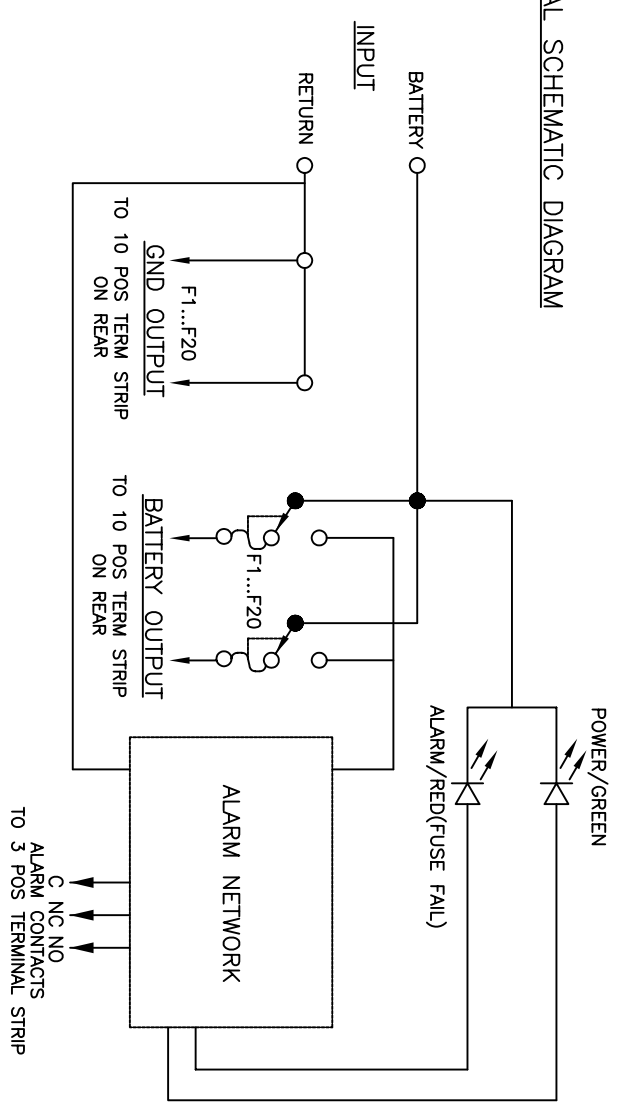


REMOVABLE DESIGNATION FOR FUSE IDENTIFICATION

**TRIMM, INC.**  
www.trimminc.com  
15 AMP MAX. PER POSITION 60 AMP MAX.



TYPICAL SCHEMATIC DIAGRAM



- OTHER AVAILABLE FEATURES/OPTIONS:
1. CUSTOM VOLTAGES AVAILABLE
  2. 10, 10/10 AND 20/20 POSITIONS
  3. CUSTOM FINISHES AVAILABLE
  4. CUSTOM SILKSCREEN OR LOGOS
  5. FOR 23" RACK MOUNT ORDER ADAPTER KIT (7500116711)

NEBS LEVEL 3 APPROVED

TRIMM, INC.  
CONTACT INFORMATION  
407 RAILROAD ST.  
BUTNER, NC 27509  
PHONE: 800-298-7466  
FAX: 919-575-6200  
WWW.TRIMMINC.COM

The information on this document is proprietary information that is property of Trimm, Inc. and shall not be reproduced or its contents disclosed in any manner whatsoever without the express written consent from Trimm, Inc. Due to continuous product development, specifications may change from those listed. Call Trimm, Inc. for information.

SCALE: NONE TOLERANCES: ±.005 .±1/64 .±.5°

|                         |  |                   |                               |  |           |
|-------------------------|--|-------------------|-------------------------------|--|-----------|
| DRAWN BY:<br>W.NEWTON   |  | DATE:<br>05/12/04 | SIZE<br>B                     | DESCRIPTION:<br>GMT FUSE PANEL OPTIMUM VALUE 20<br>DUAL VOLT/POLARITY, STUD IN, SS OUT | REV.<br>A |
| PHONE<br>1-919-575-6100 |  | FILE CODE<br>MKT  | DRAWING NUMBER:<br>7570030200 | PAGE:<br>1 OF 1  |           |

**TRIMM, INC.**