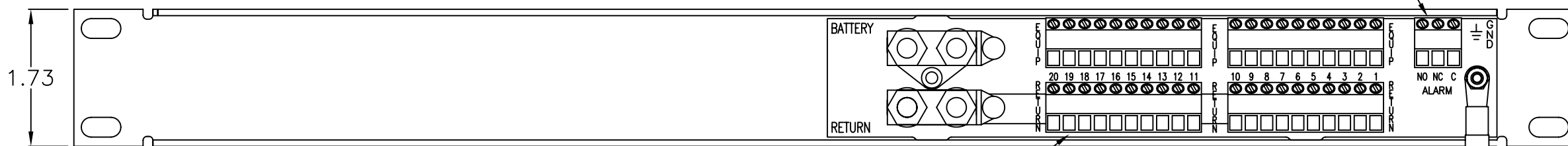


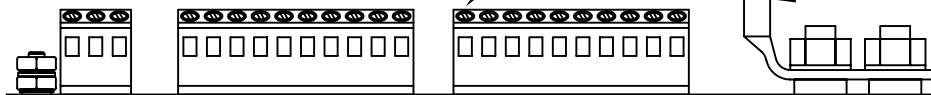
ISOLATED RELAY CONTACTS FOR REMOTE FUSE FAIL SENSING



REAR VIEW ROTATED

EQUIPMENT CONNECTIONS - SET SCREW TYPE ACCEPTS UP TO 14 AWG SOLID OR STRANDED

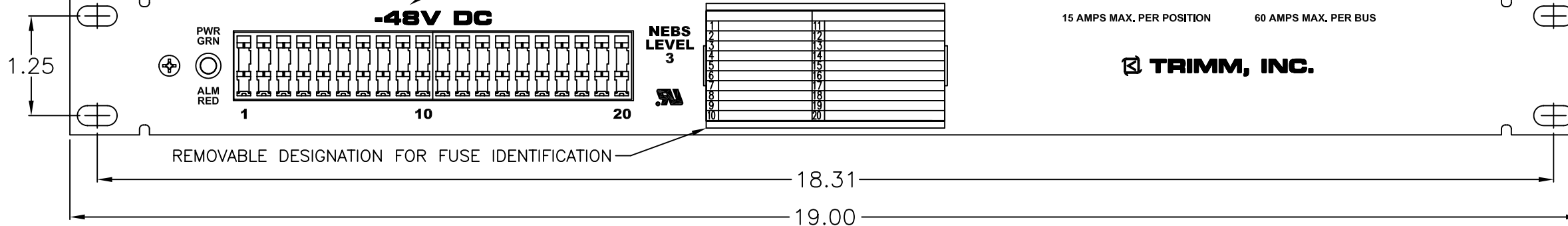
CRIMP CONNECTOR SUPPLIED FOR 6AWG



LED INDICATOR FOR POWER AND FUSE FAIL

FRAME - CLEAR ANODIZED ALUMINUM

SEE PART NO. TABLE FOR VOLTAGE

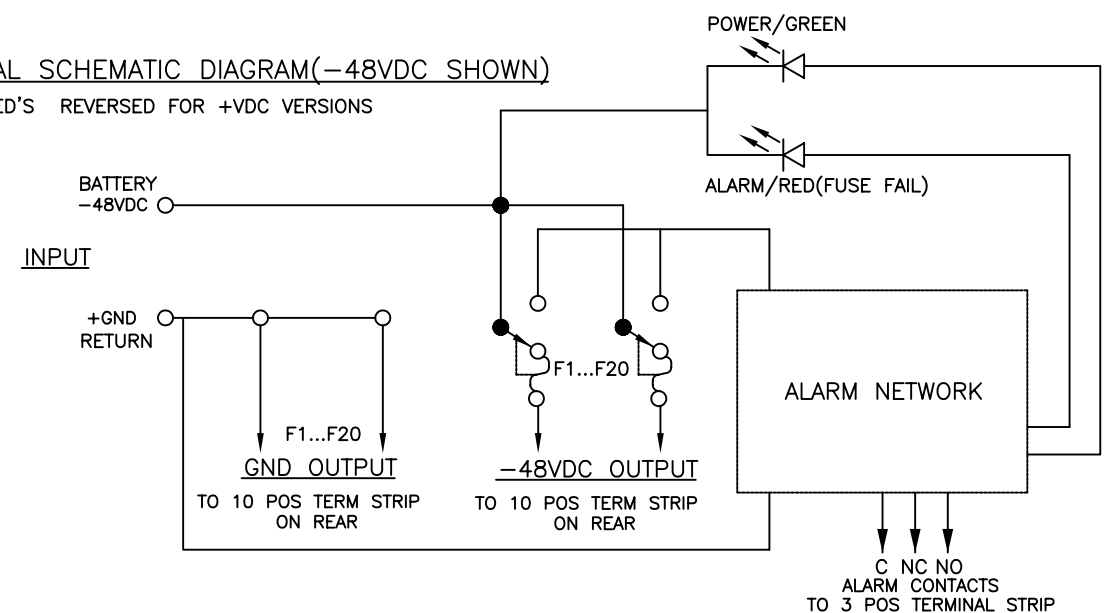


PART NO.	VOLTAGE
7570030001	-48VDC
7570030002	-24VDC
7570030003	+24VDC
7570030004	+12VDC

GMT FUSES	
AMPERAGE	PART NUMBER
.18A	0300097000
1/4A	0300097001
1/2A	0300097002
3/4A	0300097003
1A	0300097004
1-1/3A	0300097005
1-1/2A	0300097006
2A	0300097007
3A	0300097008
3-1/2A	0300097013
4A	0300097012
5A	0300097009
7-1/2A	0300097011
10A	0300097010
12A	0300097014
15A	0300097015
DUMMY	0300097100

TYPICAL SCHEMATIC DIAGRAM (-48VDC SHOWN)

NOTE: LED'S REVERSED FOR +VDC VERSIONS



OTHER AVAILABLE FEATURES/OPTIONS:

1. +24VDC, -24VDC, AND +12VDC VERSIONS.
2. 10, 10/10 AND 20/20 POSITIONS
3. CUSTOM FINISHES AVAILABLE
4. CUSTOM SILKSCREEN OR LOGOS
5. FOR 23" RACK MOUNT ORDER ADAPTER KIT (7500116711)

TRIMM, INC.  
CONTACT INFORMATION  
407 RAILROAD ST.  
BUTNER, NC 27509  
PHONE: 800-298-7466  
FAX: 919-575-6200  
WWW.TRIMMINC.COM



The information on this document is proprietary information that is property of Trimm, Inc. and shall not be reproduced or its contents disclosed in any manner whatsoever without the express written consent from Trimm, Inc. Due to continuous product development, specifications may change from those listed. Call Trimm, Inc. for information.

SCALE: NONE TOLERANCES: ±.005, ±1/64, ±.5°

ISSUE: C 05/12/04 ECN#: 04051202 CHANGED BORDER, DELETED LABEL ADDED GND TERMINAL, ROTATED DELETED TAB OPTION ISSUE: B 01/02/04 ECN#: 80110207 ADDED GROUND STUD	DRAWN BY: W.NEWTON	DATE: 05/12/04	SIZE: B	DESCRIPTION: GMT FUSE PANEL OPTIMUM VALUE 20 DUAL VOLT/POLARITY, STUD IN, SS OUT	REV. C
	MKT	DRAWING NUMBER: 7570030000m	PHONE: 1-919-575-6100		
	TRIMM, INC.				