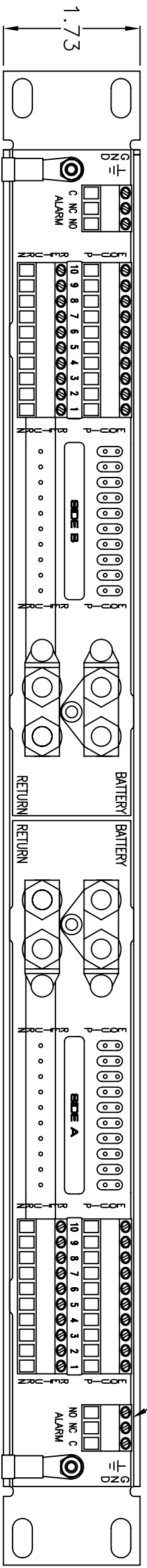


ISOLATED RELAY CONTACTS FOR REMOTE FUSE FAIL SENSING



EQUIPMENT CONNECTIONS - SET SCREW TYPE ACCEPTS UP TO 14 AWG SOLID OR STRANDED

REAR VIEW ROTATED

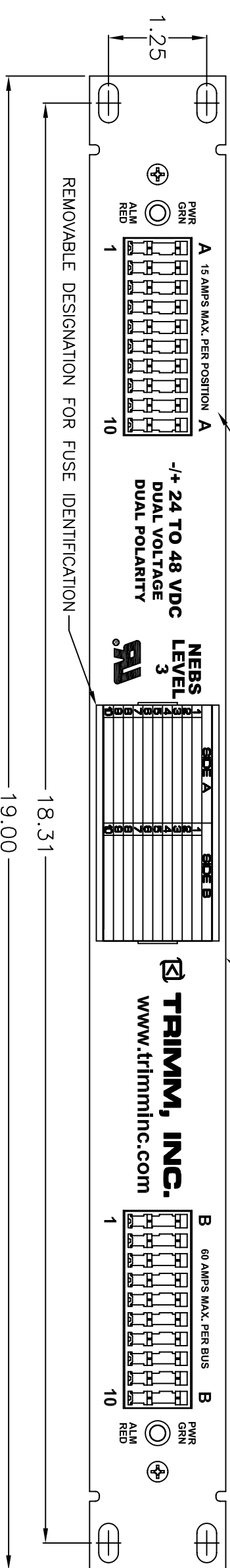
12-10AWG RING TERMINAL GROUND CONNECTION

CRIMP CONNECTOR SUPPLIED FOR 6AWG

LED INDICATOR FOR POWER AND FUSE FAIL

SEE PART NO. TABLE FOR VOLTAGE

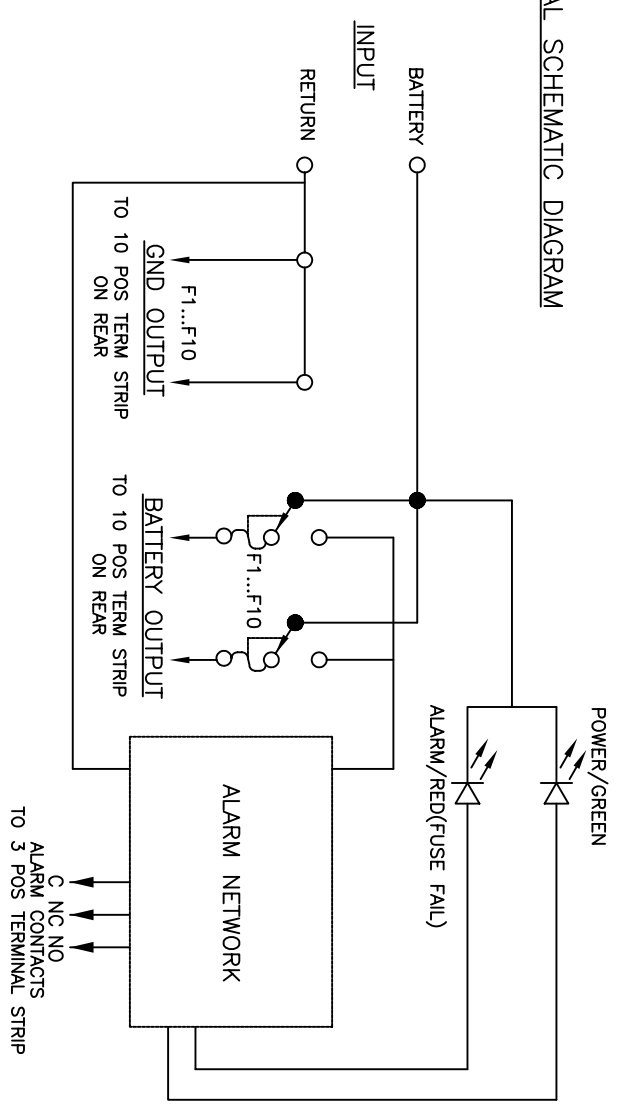
FRAME - BLACK PAINTED ALUMINUM



**TRIMM, INC.**  
www.trimm.com

| GMT FUSES |             |  |
|-----------|-------------|--|
| AMPERAGE  | PART NUMBER |  |
| .18A      | 0300097000  |  |
| 1/4A      | 0300097001  |  |
| 1/2A      | 0300097002  |  |
| 3/4A      | 0300097003  |  |
| 1A        | 0300097004  |  |
| 1-1/3A    | 0300097005  |  |
| 1-1/2A    | 0300097006  |  |
| 2A        | 0300097007  |  |
| 3A        | 0300097008  |  |
| 3-1/2A    | 0300097013  |  |
| 4A        | 0300097012  |  |
| 5A        | 0300097009  |  |
| 7-1/2A    | 0300097011  |  |
| 10A       | 0300097010  |  |
| 12A       | 0300097014  |  |
| 15A       | 0300097015  |  |
| DUMMY     | 0300097100  |  |

TYPICAL SCHEMATIC DIAGRAM



- OTHER AVAILABLE FEATURES/OPTIONS:
1. 10, 20, AND 20/20 POSITIONS
  2. CLEAR OR BLACK ANODIZED ALUMINUM
  3. CUSTOM SILKSCREEN OR LOGOS
  4. FOR 23" RACK MOUNT ORDER ADAPTER KIT (7500116711)

NEBS LEVEL 3 APPROVED



TRIMM, INC.  
CONTACT INFORMATION  
407 RAILROAD ST.  
BUTNER, NC 27509  
PHONE: 800-298-7466  
FAX: 919-575-6200  
WWW.TRIMM.COM

The information on this document is proprietary information that is property of Trimm, Inc. and shall not be reproduced or its contents disclosed in any manner whatsoever without the express written consent from Trimm, Inc. Due to continuous product development, specifications may change from those listed. Call Trimm, Inc. for information.

SCALE: NONE TOLERANCES: ±.005 ±.1/64 ±.5°

|                               |             |                                     |
|-------------------------------|-------------|-------------------------------------|
| ISSUE: C                      | 05/17/04    | WN                                  |
| ECN#: 04051702                |             |                                     |
| CHANGED BORDER, DELETED LABEL |             |                                     |
| ADDED GND TERMINAL, ROTATED   |             |                                     |
| REAR VIEW, UPDATED SILKSCRN,  |             |                                     |
| DELETED TAB OPTION            |             |                                     |
| ISSUE: B                      | 02/28/01    | JG                                  |
| ECN#: 00110202                |             |                                     |
| ADDED GROUND STUD             |             |                                     |
| DRAWN BY:                     | B.BURCH     |                                     |
| DATE:                         | 10/02/00    |                                     |
| SIZE                          | B           | DESCRIPTION:                        |
| FILE CODE                     | MKT         | GMT FUSE PANEL OPTIMUM VALUE 10/10  |
| DRAWING NUMBER:               | 7570029200m | DUAL VOLT/POLARITY, STUD IN, SS OUT |
| REV.                          | C           |                                     |
| PAGE:                         | 1 OF 1      |                                     |

**TRIMM, INC.**