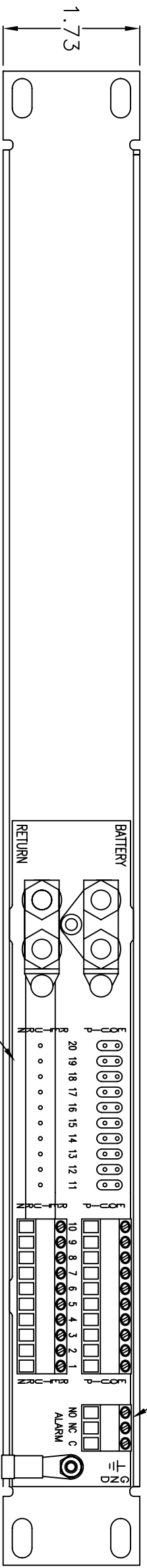
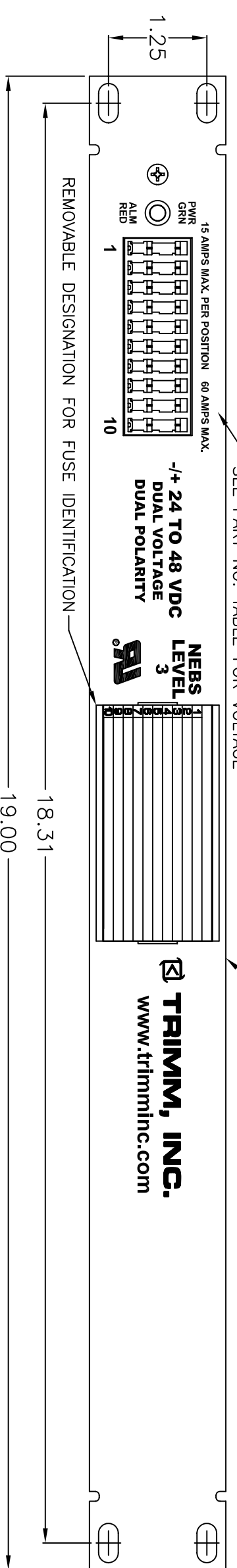


PART NO.	VOLTAGE
7570028201	+/- 24 to 48VDC
7570028202	+/- 12 to 24VDC



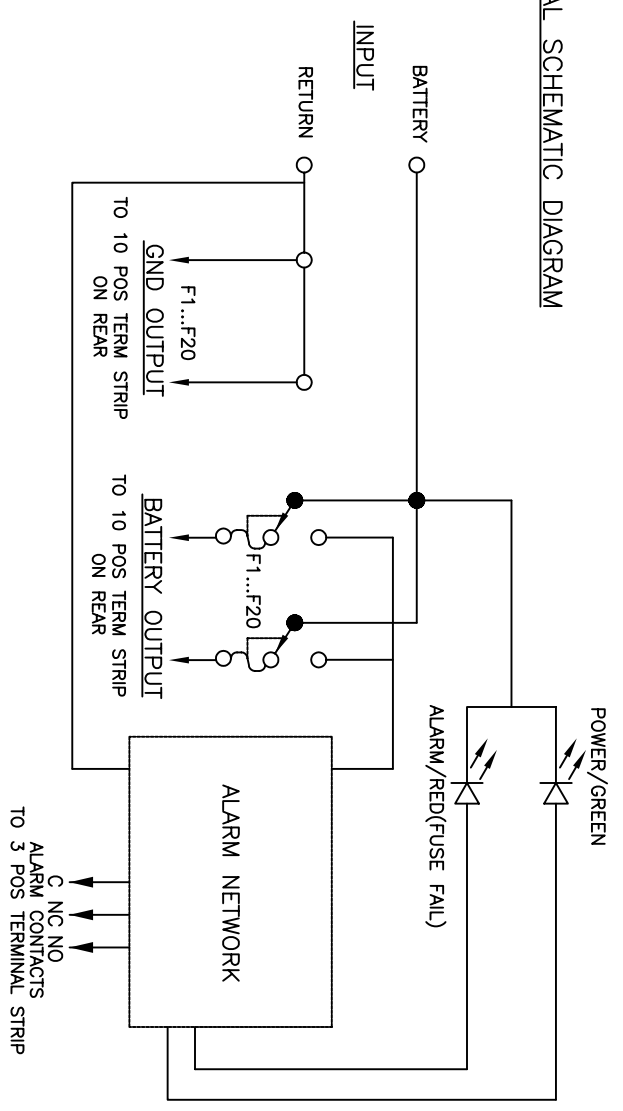
REAR VIEW ROTATED
EQUIPMENT CONNECTIONS - SET SCREW TYPE ACCEPTS UP TO 14 AWG SOLID OR STRANDED
CRIMP CONNECTOR SUPPLIED FOR 6AWG
12-10AWG RING TERMINAL GROUND CONNECTION

AMPERAGE	PART NUMBER	GMT FUSES
.18A	0300097000	
1/4A	0300097001	
1/2A	0300097002	
3/4A	0300097003	
1A	0300097004	
1-1/3A	0300097005	
1-1/2A	0300097006	
2A	0300097007	
3A	0300097008	
3-1/2A	0300097013	
4A	0300097012	
5A	0300097009	
7-1/2A	0300097011	
10A	0300097010	
12A	0300097014	
15A	0300097015	
DUMMY	0300097100	



LED INDICATOR FOR POWER AND FUSE FAIL
SEE PART NO. TABLE FOR VOLTAGE
FRAME - BLACK PAINTED ALUMINUM

TYPICAL SCHEMATIC DIAGRAM



- OTHER AVAILABLE FEATURES/OPTIONS:
1. +/- 24 to 12 VDC VERSION.
 2. 10/10, 20. AND 20/20 POSITIONS
 3. CUSTOM FINISHES AVAILABLE
 4. CUSTOM SILKSCREEN OR LOGOS
 5. FOR 23" RACK MOUNT ORDER ADAPTER KIT (7500116711)

NEBS LEVEL 3 APPROVED



TRIMM, INC.
CONTACT INFORMATION
407 RAILROAD ST.
BUTNER, NC 27509
PHONE: 800-298-7466
FAX: 919-575-6200
WWW.TRIMM.COM

The information on this document is proprietary information that is property of Trimm, Inc. and shall not be reproduced or its contents disclosed in any manner whatsoever without the express written consent from Trimm, Inc. Due to continuous product development, specifications may change from those listed. Call Trimm, Inc. for information.

SCALE: NONE TOLERANCES: ±.005, ±1/64, ±.5°

DRAWN BY:	W.NEWTON	DATE:	05/17/04	SIZE:	B	DESCRIPTION:	GMT FUSE PANEL OPTIMUM VALUE 10 DUAL VOLT/POLARITY, STUD IN, SS OUT	REV.	A
PHONE	1-919-575-6100	FILE CODE	MKT	DRAWING NUMBER:	7570028200m	PAGE:	1 OF 1		
							TRIMM, INC.		