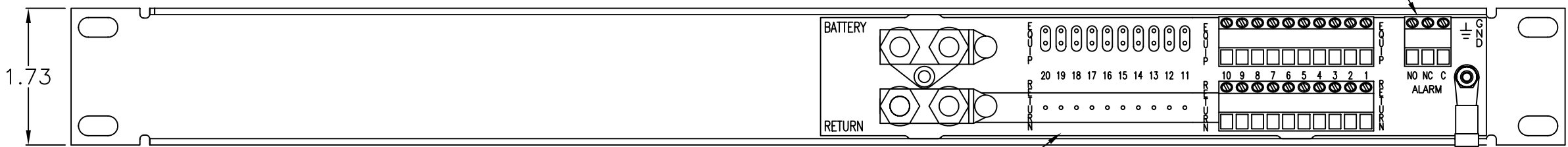


ISOLATED RELAY CONTACTS FOR REMOTE FUSE FAIL SENSING



PART NO.	VOLTAGE
7570028001	-48VDC
7570028002	-24VDC
7570028003	+24VDC
7570028004	+12VDC

GMT FUSES	
AMPERAGE	PART NUMBER
.18A	0300097000
1/4A	0300097001
1/2A	0300097002
3/4A	0300097003
1A	0300097004
1-1/3A	0300097005
1-1/2A	0300097006
2A	0300097007
3A	0300097008
3-1/2A	0300097013
4A	0300097012
5A	0300097009
7-1/2A	0300097011
10A	0300097010
12A	0300097014
15A	0300097015
DUMMY	0300097100

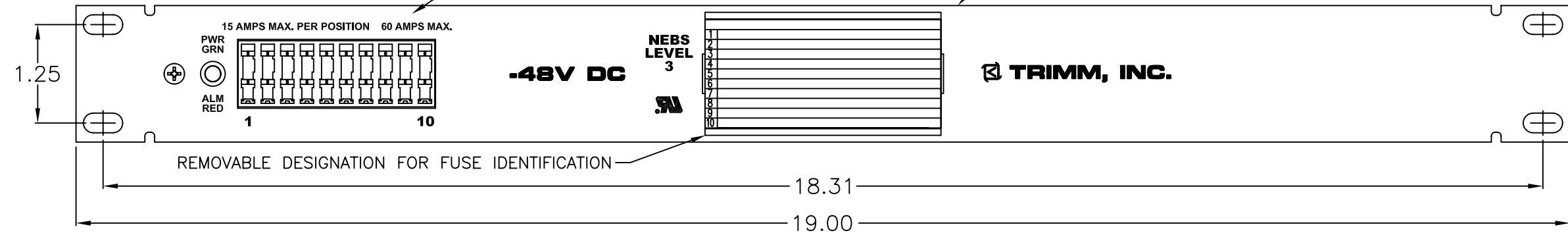
EQUIPMENT CONNECTIONS - SET SCREW TYPE ACCEPTS UP TO 14 AWG SOLID OR STRANDED

CRIMP CONNECTOR SUPPLIED FOR 6AWG

LED INDICATOR FOR POWER AND FUSE FAIL

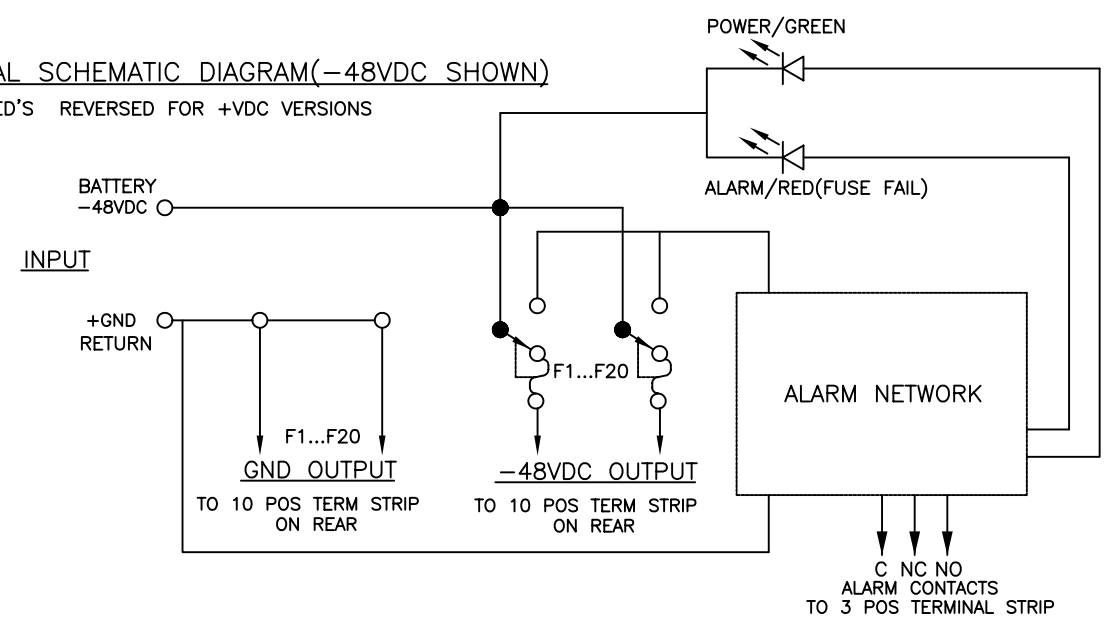
SEE PART NO. TABLE FOR VOLTAGE

FRAME - CLEAR ANODIZED ALUMINUM



TYPICAL SCHEMATIC DIAGRAM (-48VDC SHOWN)

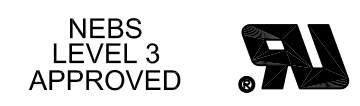
NOTE: LED'S REVERSED FOR +VDC VERSIONS



OTHER AVAILABLE FEATURES/OPTIONS:

1. +24VDC, -24VDC, AND +12VDC VERSIONS.
2. 10/10, 20, AND 20/20 POSITIONS
3. CLEAR OR BLACK ANODIZED ALUMINUM
4. CUSTOM SILKSCREEN OR LOGOS
5. FOR 23" RACK MOUNT ORDER ADAPTER KIT (7500116711)

TRIMM, INC.
CONTACT INFORMATION
407 RAILROAD ST.
BUTNER, NC 27509
PHONE: 800-298-7466
FAX: 919-575-6200
WWW.TRIMMINC.COM



The information on this document is proprietary information that is property of Trimm, Inc. and shall not be reproduced or its contents disclosed in any manner whatsoever without the express written consent from Trimm, Inc. Due to continuous product development, specifications may change from those listed. Call Trimm, Inc. for information.

SCALE: NONE TOLERANCES: ±.005, ±1/64, ±.5°

ISSUE: C 05/12/04 ECH#: 04051202 CHANGED BORDER, DELETED LABEL ADDED GND TERMINAL, ROTATED DELETED TAB OPTION DELETED TAB OPTION ISSUE: B 02/28/01 ECH#: 00110202 ADDED GROUND STUD	DRAWN BY: B.BURCH	DATE: 10/02/00	SIZE: B	DESCRIPTION: GMT FUSE PANEL OPTIMUM VALUE 10 DUAL VOLT/POLARITY, STUD IN, SS OUT	REV. C
	PHONE: 1-919-575-6100	FILE CODE: MKT	DRAWING NUMBER: 7570028000m	PAGE: 1 OF 1	