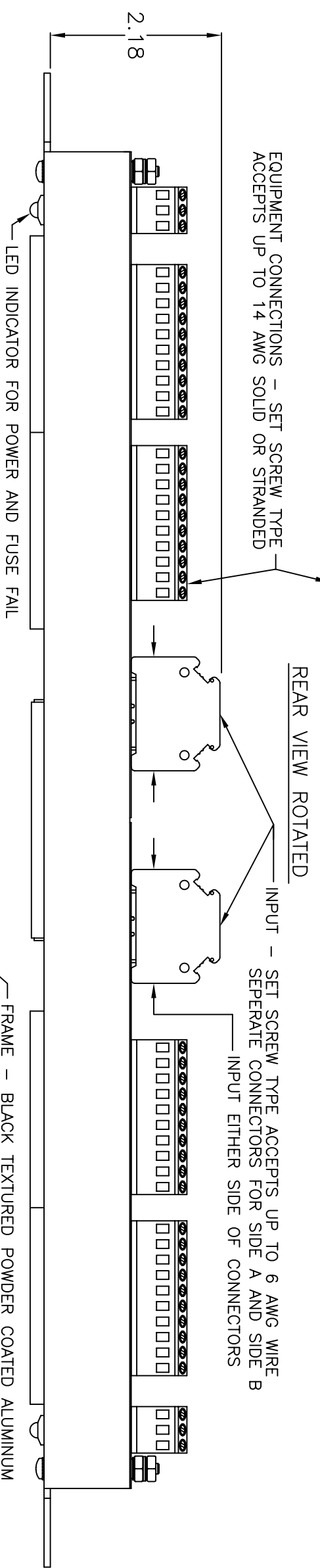
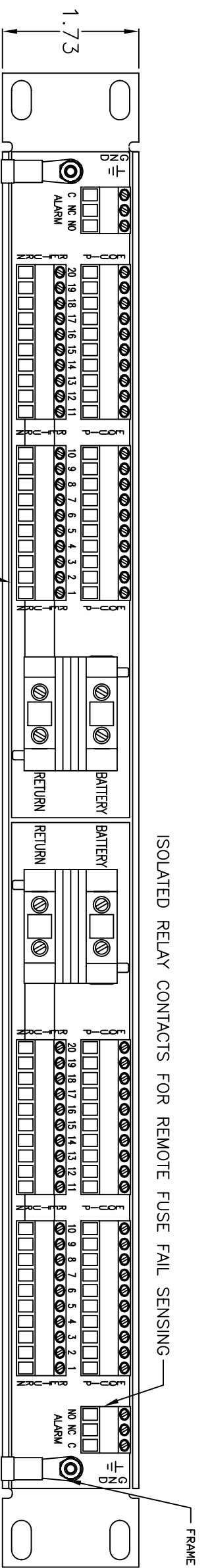
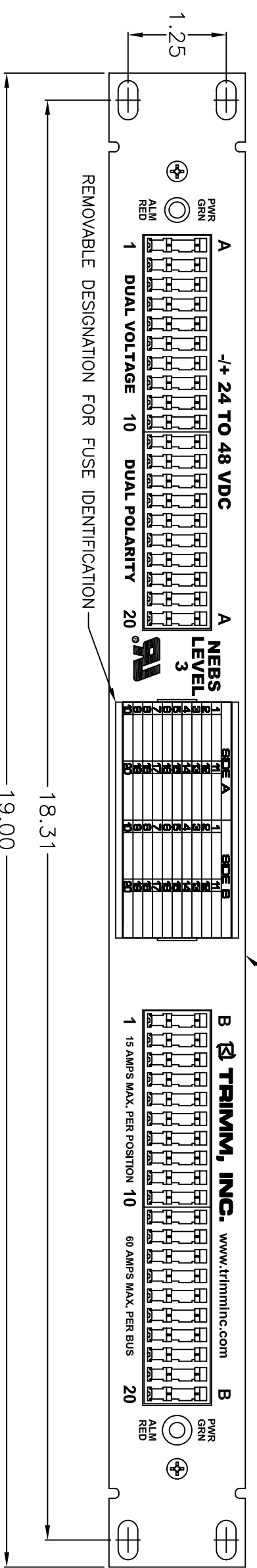


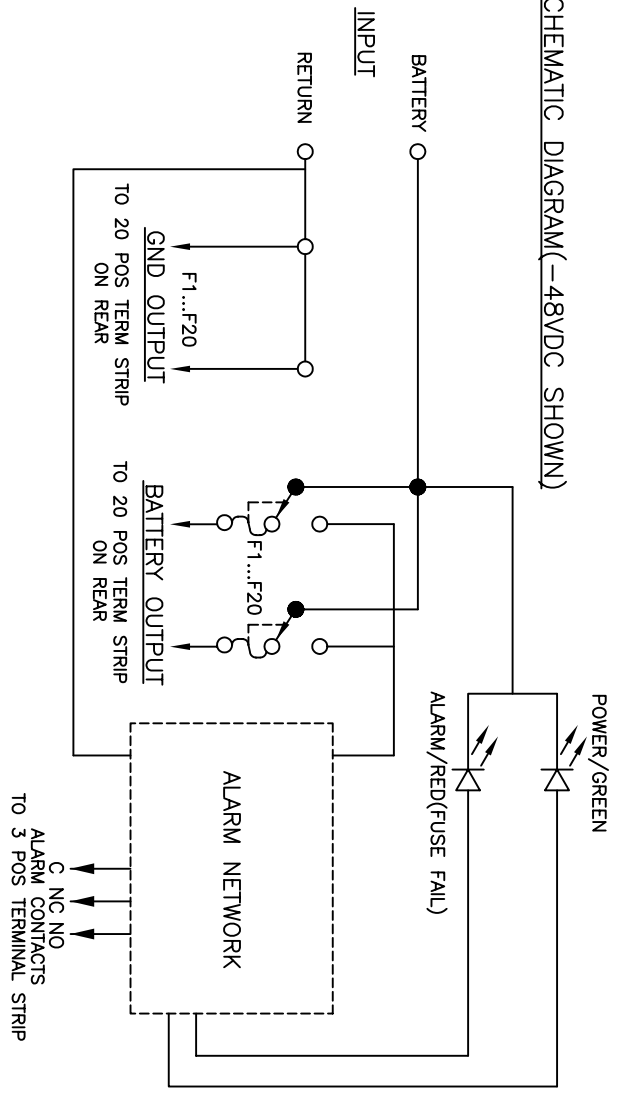
PART NO.	VOLTAGE
7570021201	+/- 48 to 24VDC
7570021202	+/- 24 to 12VDC



GMT FUSES		
AMPERAGE	PART NUMBER	
18A	0300097000	
1/4A	0300097001	
1/2A	0300097002	
3/4A	0300097003	
1A	0300097004	
1-1/3A	0300097005	
1-1/2A	0300097006	
2A	0300097007	
3A	0300097008	
3-1/2A	0300097013	
4A	0300097012	
5A	0300097009	
7-1/2A	0300097011	
10A	0300097010	
12A	0300097014	
15A	0300097015	
DUMMY	0300097100	



TYPICAL SCHEMATIC DIAGRAM (-48VDC SHOWN)



- OTHER AVAILABLE FEATURES/OPTIONS:
1. 10, 10/10 AND 20 POSITIONS
  2. CLEAR OR BLACK ANODIZED ALUMINUM
  3. CUSTOM SILKSCREEN OR LOGOS
  4. FOR 23" RACK MOUNT ORDER ADAPTER KIT (7500116711)

NEBS  
LEVEL 3  
APPROVED



TRIMM, INC.  
CONTACT INFORMATION  
407 RAILROAD ST.  
BUTNER, NC 27509  
PHONE: 800-298-7466  
FAX: 919-575-6200  
WWW.TRIMMINC.COM

The information on this document is proprietary information that is property of Trimm, Inc. and shall not be reproduced or its contents disclosed in any manner whatsoever without the express written consent from Trimm, Inc. Due to continuous product development, specifications may change from those listed. Call Trimm, Inc. for information.

SCALE: NONE TOLERANCES: ±.005 ±.1/64 ±.5°

DRAWN BY:		W. NEWTON	
DATE:		05/14/04	
SIZE	B	DESCRIPTION:	GMT FUSE PANEL OPTIMUM VALUE, 20/20 DUAL VOLT/POLARITY, SET SCREW IN/OUT
FILE CODE	MKT	DRAWING NUMBER:	7570021200m
REV.	A	PAGE:	1 OF 1

**TRIMM, INC.**