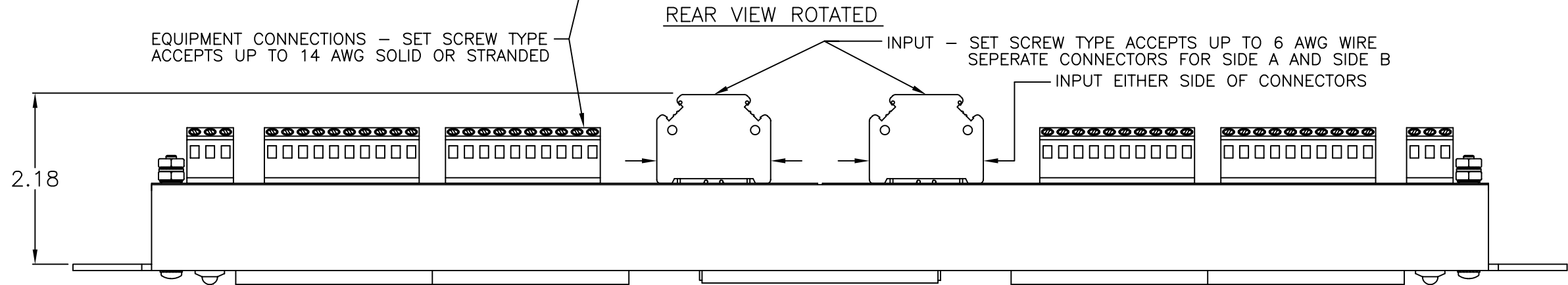
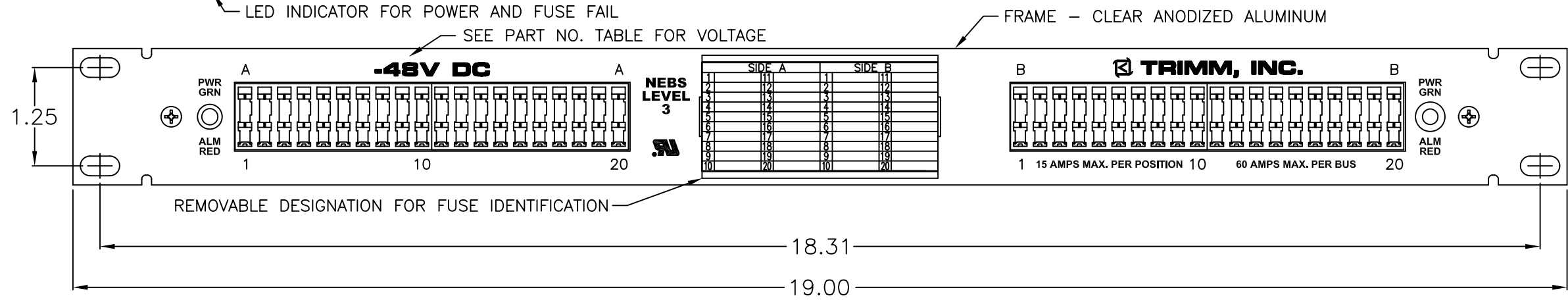


PART NO.	VOLTAGE
7570021001	-48VDC
7570021002	-24VDC
7570021003	+24VDC
7570021004	+12VDC

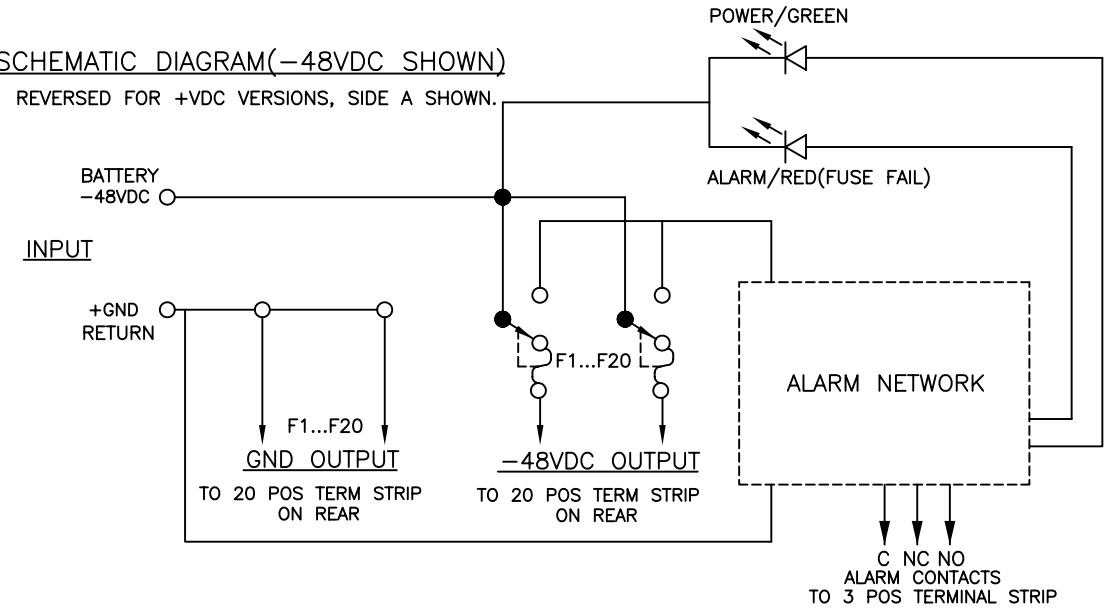


GMT FUSES	
AMPERAGE	PART NUMBER
.18A	0300097000
1/4A	0300097001
1/2A	0300097002
3/4A	0300097003
1A	0300097004
1-1/3A	0300097005
1-1/2A	0300097006
2A	0300097007
3A	0300097008
3-1/2A	0300097013
4A	0300097012
5A	0300097009
7-1/2A	0300097011
10A	0300097010
12A	0300097014
15A	0300097015
DUMMY	0300097100



**TYPICAL SCHEMATIC DIAGRAM(-48VDC SHOWN)**

NOTE: LED'S REVERSED FOR +VDC VERSIONS, SIDE A SHOWN.



**OTHER AVAILABLE FEATURES/OPTIONS:**

1. 10, 10/10 AND 20 POSITIONS
2. CUSTOM FINISHES AVAILABLE
3. CUSTOM SILKSCREEN OR LOGOS
4. FOR 23" RACK MOUNT ORDER ADAPTER KIT (7500116711)

TRIMM, INC.  
CONTACT INFORMATION  
407 RAILROAD ST.  
BUTNER, NC 27509  
PHONE: 800-298-7466  
FAX: 919-575-6200  
WWW.TRIMMINC.COM



The information on this document is proprietary information that is property of Trimm, Inc. and shall not be reproduced or its contents disclosed in any manner whatsoever without the express written consent from Trimm, Inc. Due to continuous product development, specifications may change from those listed. Call Trimm, Inc. for information.

SCALE: NONE TOLERANCES: ±.005, ±1/64, ±.5°

ISSUE: C ECN#: 05/14/04 WIN CHANGED BORDER, DELETED LABEL, ADDED GND TERMINAL CHANGED SILKSCREEN DELETED TAB OPTION	ISSUE: F ECN#: 4-25-01 AS ADDED GRD SCREW	ISSUE: E ECN#: 09/06/00 RJR 14 AWG WAS 12 AWG NOTE 5 - ADDED ADAPTER W/23" NOTE 6 - DELETED WIRE WRAP ADDED NOTE 7 REMOVED .080 THK.	ISSUE: D ECN#: 10/01/97 AS ADDED P/N 7570021005	ISSUE: C ECN#: 6/8/95 NUL ADDED P/N TABLE ADDED NOTE TO SCHEMATIC TITLE WAS 30 AMPS
---	--	---	--	--

DRAWN BY: NUL	DATE: 09/03/04	SIZE: B	DESCRIPTION: GMT FUSE PANEL OPTIMUM VALUE, 20/20 60A PER SIDE, SET SCREW IN/OUT	REV. <b>G</b>
	FILE CODE: MKT	DRAWING NUMBER: 7570021000m	PHONE: 1-919-575-6100	