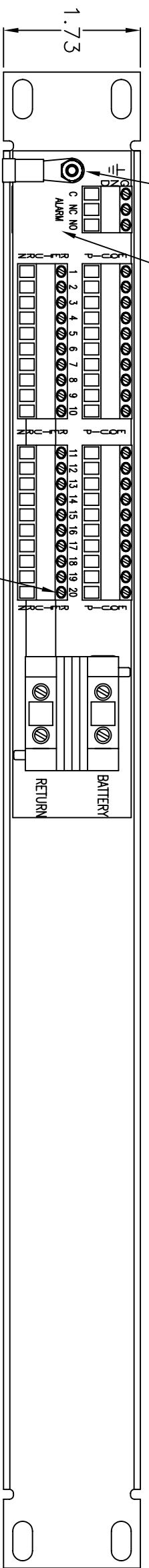


12-10AWG RING TERMINAL  
GROUND CONNECTION

ISOLATED RELAY CONTACTS FOR REMOTE FUSE FAIL SENSING



EQUIPMENT CONNECTIONS - SET SCREW TYPE ACCEPTS UP TO 14 AWG SOLID OR STRANDED

REAR VIEW ROTATED

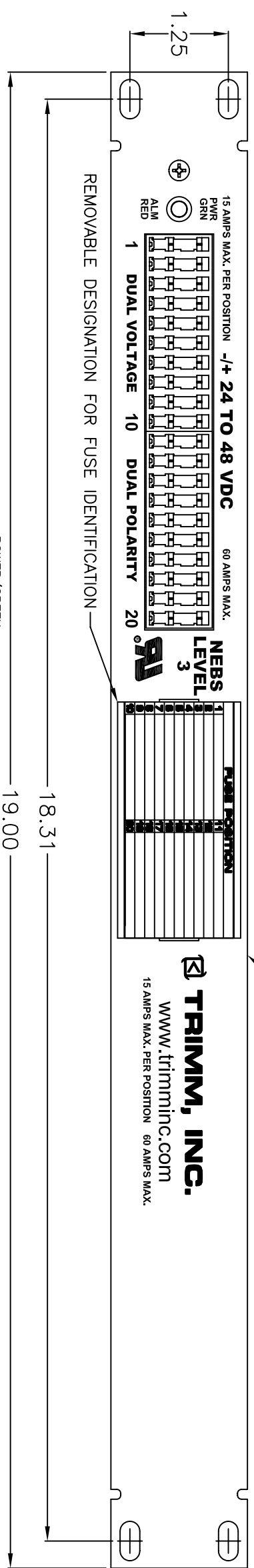
INPUT - SET SCREW TYPE ACCEPTS UP TO 6 AWG WIRE

INPUT EITHER SIDE OF CONNECTOR

LED INDICATOR FOR POWER AND FUSE FAIL

FRAME - BLACK TEXTURED POWDER COATED ALUMINUM

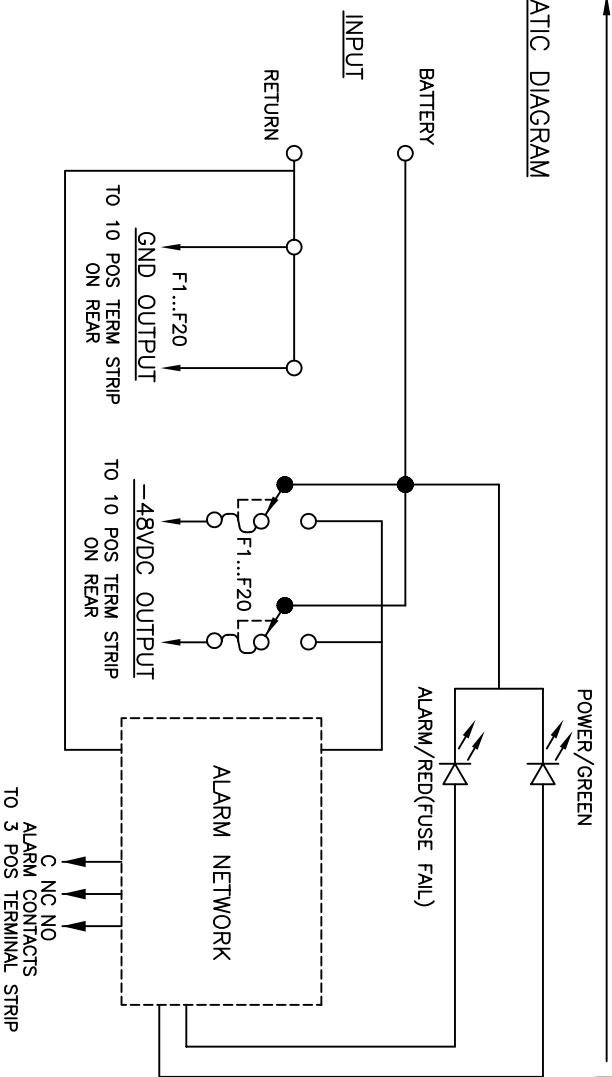
GMT FUSES		
AMPERAGE	PART NUMBER	
.18A	0300097000	
1/4A	0300097001	
1/2A	0300097002	
3/4A	0300097003	
1A	0300097004	
1-1/3A	0300097005	
1-1/2A	0300097006	
2A	0300097007	
3A	0300097008	
3-1/2A	0300097013	
4A	0300097012	
5A	0300097009	
7-1/2A	0300097011	
10A	0300097010	
12A	0300097014	
15A	0300097015	
DUMMY	0300097100	



REMOVABLE DESIGNATION FOR FUSE IDENTIFICATION

**TRIMM, INC.**  
www.trimm.com  
15 AMP MAX. PER POSITION 60 AMP MAX.

**SCHEMATIC DIAGRAM**



NEBS  
LEVEL 3  
APPROVED

TRIMM, INC.  
CONTACT INFORMATION  
407 RAILROAD ST.  
BUTNER, NC 27509  
PHONE: 800-298-7466  
FAX: 919-575-8200  
WWW.TRIMM.COM

The information on this document is proprietary information that is property of Trimm, Inc. and shall not be reproduced or its contents disclosed in any manner whatsoever without the express written consent from Trimm, Inc. Due to continuous product development, specifications may change from those listed. Call Trimm, Inc. for information.

SCALE: NONE TOLERANCES: ±.005, ±1/64, ±.5°

DRAWN BY:		W.NEWTON	
DATE:		05/11/04	
SIZE	DESCRIPTION:	FILE CODE	DRAWING NUMBER:
B	GMT FUSE PANEL OPTIMUM VALUE 20	MKT	7570020200m
			REV. A
PHONE: 1-919-575-6100			PAGE: 1 OF 1
<b>TRIMM, INC.</b>			