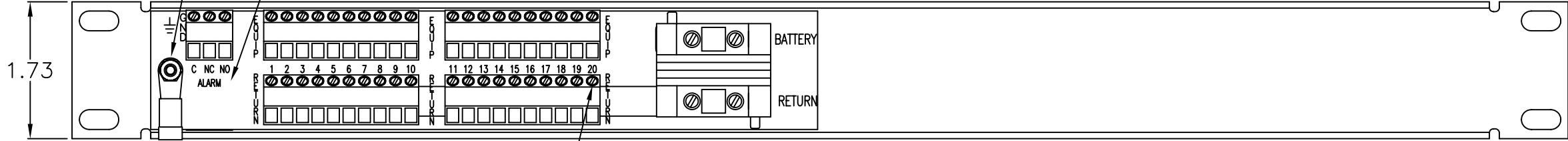


12-10AWG RING TERMINAL GROUND CONNECTION

ISOLATED RELAY CONTACTS FOR REMOTE FUSE FAIL SENSING

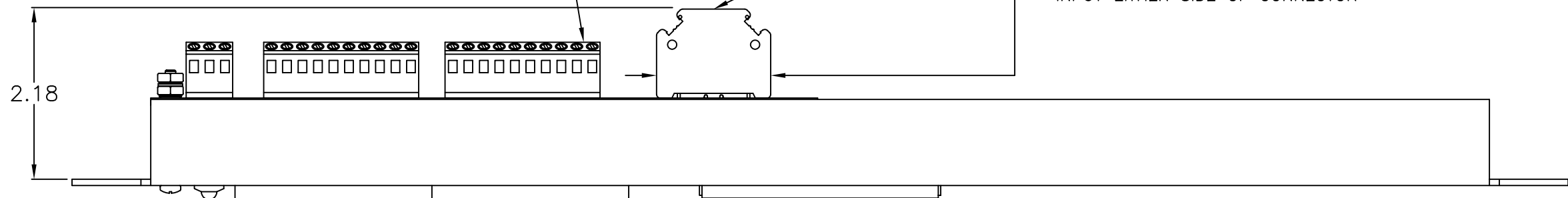


EQUIPMENT CONNECTIONS - SET SCREW TYPE ACCEPTS UP TO 14 AWG SOLID OR STRANDED

REAR VIEW ROTATED

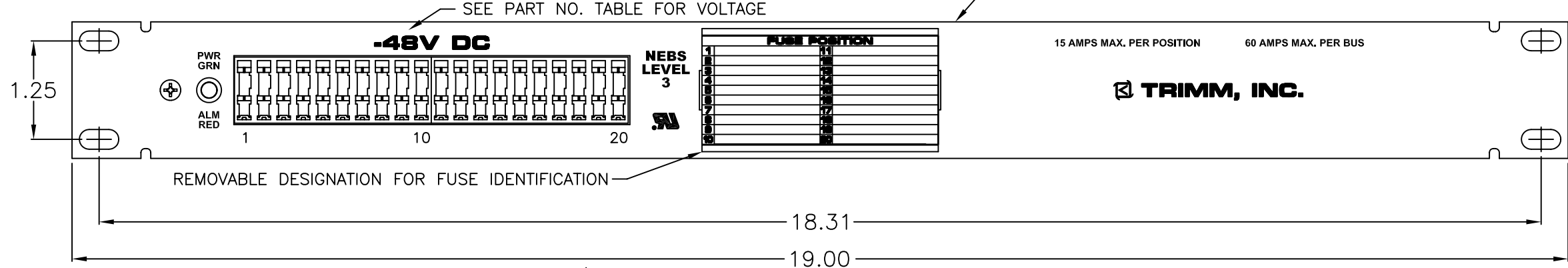
INPUT - SET SCREW TYPE ACCEPTS UP TO 6 AWG WIRE

INPUT EITHER SIDE OF CONNECTOR



LED INDICATOR FOR POWER AND FUSE FAIL

FRAME - ALUMINUM, CLEAR ANODIZED

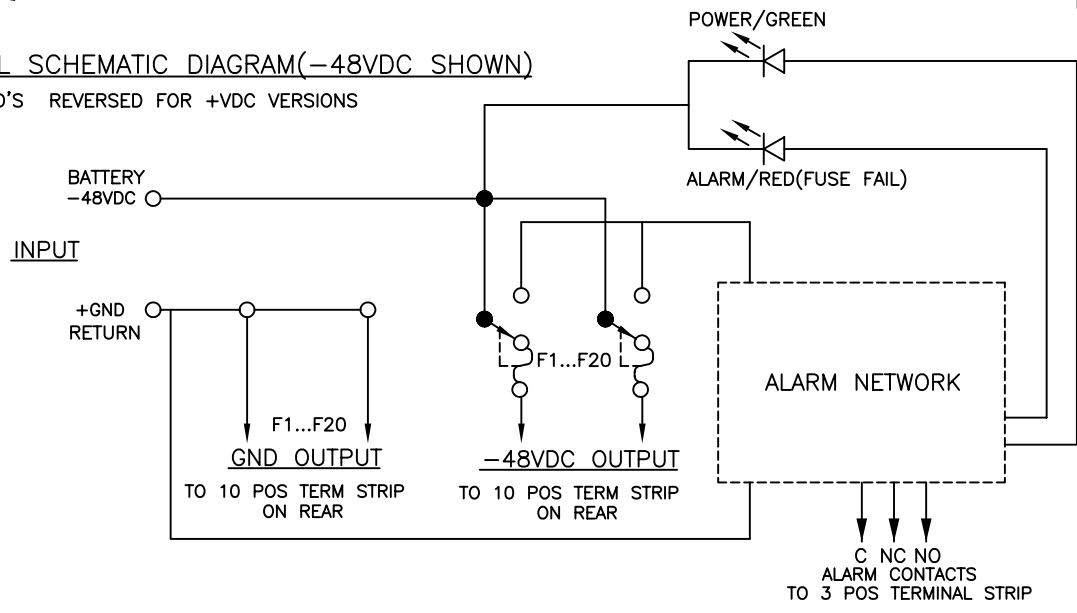


PART NO.	VOLTAGE
7570020001	-48VDC
7570020002	-24VDC
7570020003	+24VDC
7570020004	+12VDC

GMT FUSES	
AMPERAGE	PART NUMBER
.18A	0300097000
1/4A	0300097001
1/2A	0300097002
3/4A	0300097003
1A	0300097004
1-1/3A	0300097005
1-1/2A	0300097006
2A	0300097007
3A	0300097008
3-1/2A	0300097013
4A	0300097012
5A	0300097009
7-1/2A	0300097011
10A	0300097010
12A	0300097014
15A	0300097015
DUMMY	0300097100

TYPICAL SCHEMATIC DIAGRAM(-48VDC SHOWN)

NOTE: LED'S REVERSED FOR +VDC VERSIONS



OTHER AVAILABLE FEATURES/OPTIONS:

1. +24, -24, AND +12VDC VERSIONS ALSO AVAILABLE.
2. 10, 10/10 AND 20/20 POSITIONS
3. CLEAR OR BLACK ANODIZED ALUMINUM
4. CUSTOM SILKSCREEN OR LOGOS
5. FOR 23" RACK MOUNT ORDER ADAPTER KIT (7500116711)

TRIMM, INC.
CONTACT INFORMATION
407 RAILROAD ST.
BUTNER, NC 27509
PHONE: 800-298-7466
FAX: 919-575-6200
WWW.TRIMMINC.COM

NEBS LEVEL 3 APPROVED



The information on this document is proprietary information that is property of Trimm, Inc. and shall not be reproduced or its contents disclosed in any manner whatsoever without the express written consent from Trimm, Inc. Due to continuous product development, specifications may change from those listed. Call Trimm, Inc. for information.

SCALE: NONE TOLERANCES: ±.005, ±1/64, ±.5°

ISSUE: F 05/11/04 WN
ECN#: 6005110
UPDATED DING FRAME
DELETED -VDC AND +VDC DESG
DELETED OLD QUAL LABEL
ADD GND TER, ROTATED ALR CON
CHANGED SILKSCREEN
ISSUE: E 02/28/01 JG
ECN#: 00110202
ADDED GROUND STUD
ISSUE: D 09/07/00 RWR
ECN#: 00090601
REMOVED .080 THK.
NOTE 5- ADDED ADAPTER W/23"
NOTE 6 - DELETED WIRE WRAP
ADDED NOTE 1
ADDED NOTE 12AWG
14 AWG W/5 12AWG
ISSUE: E 02/13/97 BB
ECN#: 99021301
ADDED 4 PART'S
FOR TAB CONNECTIONS
ISSUE: B 6/9/95 NUL
ECN#: 95080101
ADDED P/N TABLE
ADDED NOTE TO SCHEMATIC
TITLE WAS 30 AMPS MAX

DRAWN BY: NUL	DATE: 02/28/95	SIZE B	DESCRIPTION: GMT FUSE PANEL OPTIMUM VALUE 20 -48VDC, 19", SET SCREW IN/OUT	REV. F
		FILE CODE MKT		
PHONE 1-919-575-6100			DRAWING NUMBER: 7570020000m	PAGE: 1 OF 1

TRIMM, INC.