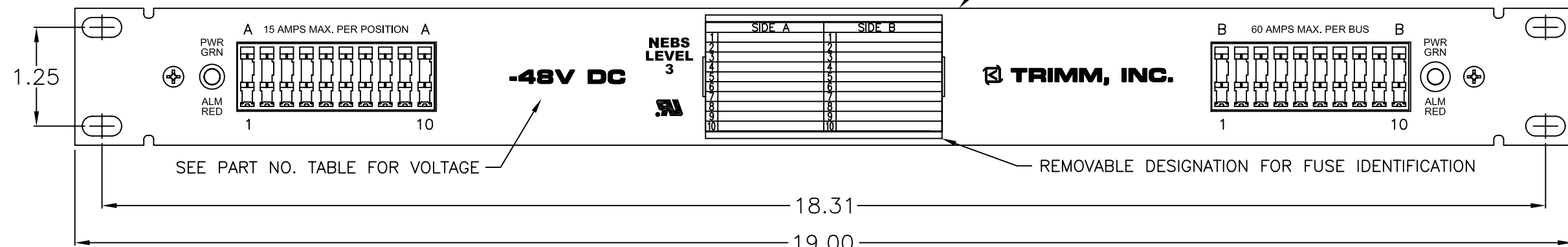
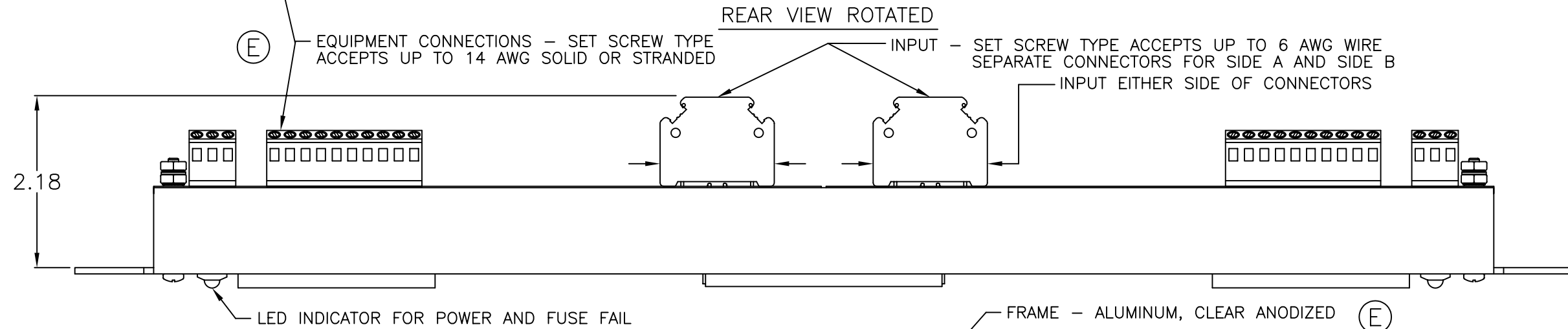
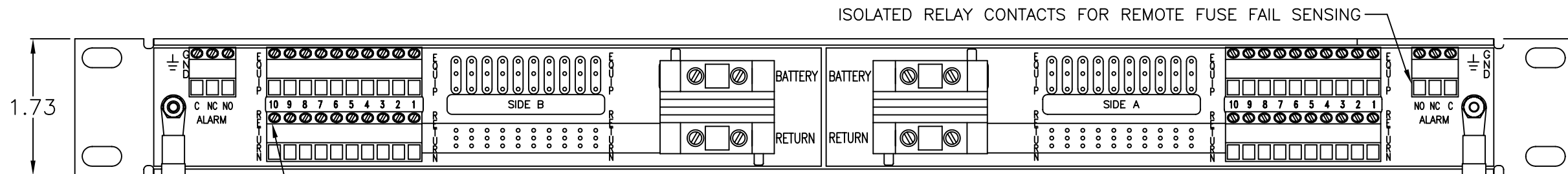


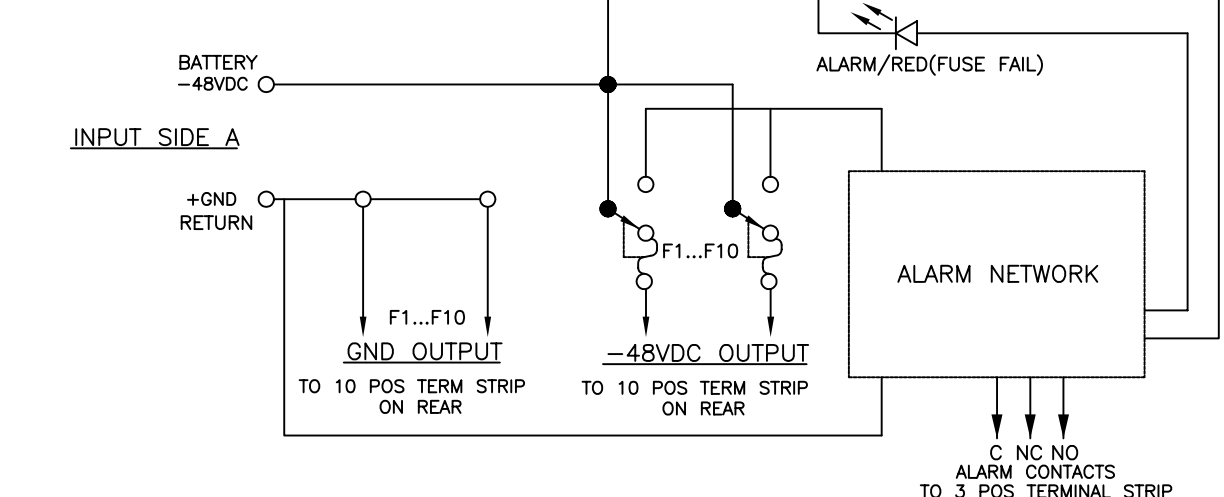
PART NO.	VOLTAGE
7570019001	-48VDC
7570019002	-24VDC
7570019003	+24VDC
7570019004	+12VDC

GMT FUSES	
AMPERAGE	PART NUMBER
.18A	0300097000
1/4A	0300097001
1/2A	0300097002
3/4A	0300097003
1A	0300097004
1-1/3A	0300097005
1-1/2A	0300097006
2A	0300097007
3A	0300097008
3-1/2A	0300097013
4A	0300097012
5A	0300097009
7-1/2A	0300097011
10A	0300097010
12A	0300097014
15A	0300097015
DUMMY	0300097100



**TYPICAL SCHEMATIC DIAGRAM(-48VDC SHOWN)**

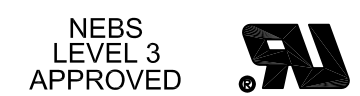
NOTE: LED'S REVERSED FOR +VDC VERSIONS



**OTHER AVAILABLE FEATURES/OPTIONS:**

1. - OR +24VDC AND +12 VDC VERSIONS
2. 10, 20 AND 20/20 POSITIONS
3. CLEAR OR BLACK ANODIZED ALUMINUM
4. CUSTOM SILKSCREEN OR LOGOS
5. FOR 23" RACK MOUNT ORDER ADAPTER KIT (7500116711)

TRIMM, INC.  
CONTACT INFORMATION  
407 RAILROAD ST.  
BUTNER, NC 27509  
PHONE: 800-298-7466  
FAX: 919-575-6200  
WWW.TRIMMINC.COM



The information on this document is proprietary information that is property of Trimm, Inc. and shall not be reproduced or its contents disclosed in any manner whatsoever without the express written consent from Trimm, Inc. Due to continuous product development, specifications may change from those listed. Call Trimm, Inc. for information.

SCALE: NONE TOLERANCES: ±.005, ±1/64, ±.5°

ISSUE: G 05/05/04 VN ECN#: 04050401 UPDATED TITLE BLOCK, CHANGED SCHEMATIC, ADDED TERMINAL, DELETED TAB OPTION	ISSUE: F 02/19/01 JG ECN#: 00110202 ADDED TWO GROUND STUDS AND LABELS	ISSUE: E 09/06/00 RJR ECN#: 00090601 REMOVED .080 THK NOTE-5 ADAPTER W/23" NOTE-6 DELETED WIRE WRAP ADDED NOTE 7 1.4 AWG WAS 12 AWG	ISSUE: D 09/18/95 NJL ECN#: 95091802 CORRECTED POSITION NUMBERS AND FUSE POSITION LABELS	ISSUE: C 05/31/95 NJL ECN#: 95053101 ADDED SOME NOTES TO SCHEMATIC WAS 30 AMPS MAX	ISSUE: B 01/18/95 NJL ECN#: 95011803 ADDED SCHEMATIC	DRAWN BY: NJL	DATE: 01/04/95	SIZE: B	DESCRIPTION: FUSE PANEL, 10/10 POSITION GMT TYPE 60 AMPS MAX./SIDE (-48VDC SHOWN)	REV. G
PHONE: 1-919-575-6100								DRAWING NUMBER: 7570019000m		PAGE: 1 OF 1

