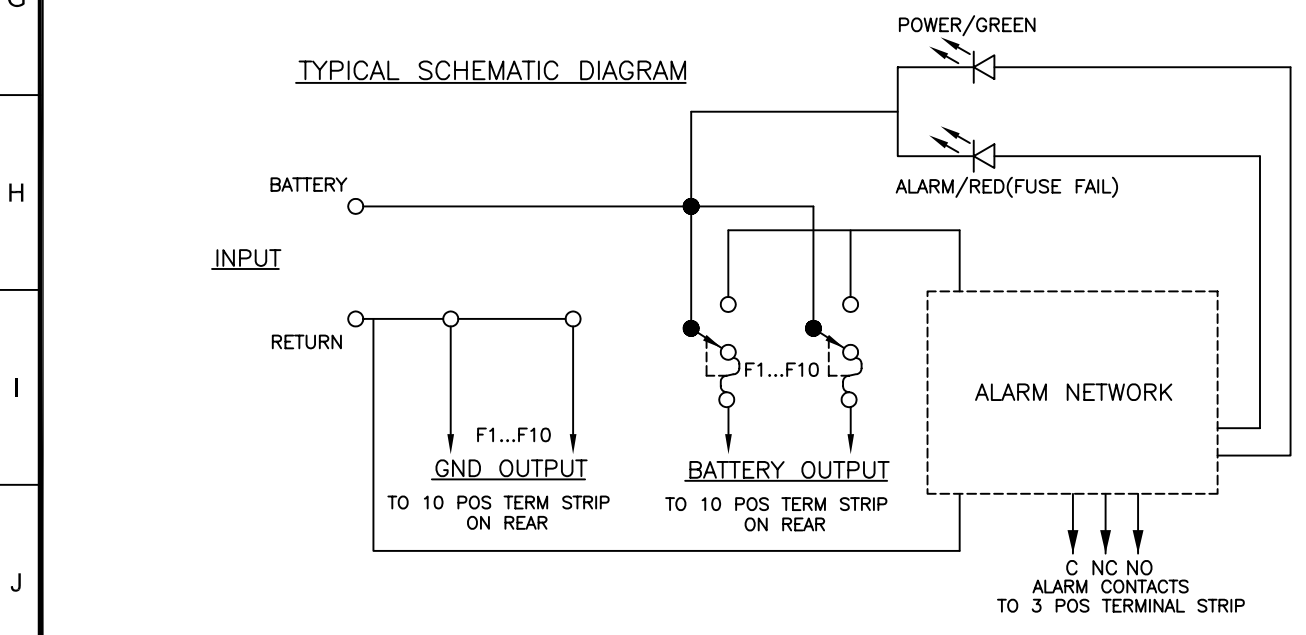
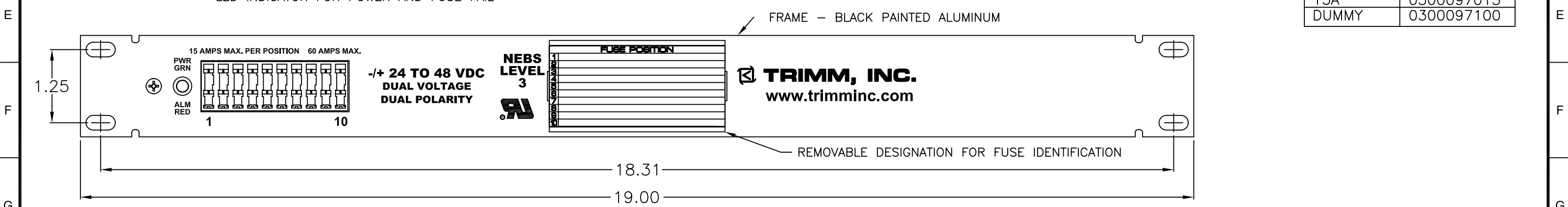
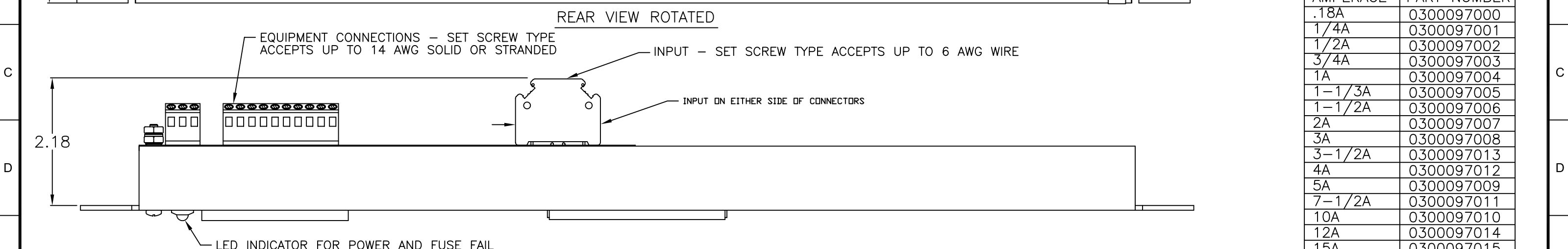


PART NO.	VOLTAGE
7570018201	+/- 48 to 24VDC
7570018202	+/- 24 to 12VDC

GMT FUSES	
AMPERAGE	PART NUMBER
.18A	0300097000
1/4A	0300097001
1/2A	0300097002
3/4A	0300097003
1A	0300097004
1-1/3A	0300097005
1-1/2A	0300097006
2A	0300097007
3A	0300097008
3-1/2A	0300097013
4A	0300097012
5A	0300097009
7-1/2A	0300097011
10A	0300097010
12A	0300097014
15A	0300097015
DUMMY	0300097100



- OTHER AVAILABLE FEATURES/OPTIONS:
1. 10/10, 20 AND 20/20 POSITIONS
 2. CUSTOM FINISHES AVAILABLE
 3. CUSTOM SILKSCREEN OR LOGOS
 4. FOR 23" RACK MOUNT ORDER ADAPTER KIT (7500116711)

TRIMM, INC.
CONTACT INFORMATION
407 RAILROAD ST.
BUTNER, NC 27509
PHONE: 800-298-7466
FAX: 919-575-6200
WWW.TRIMMINC.COM



The information on this document is proprietary information that is property of Trimm, Inc. and shall not be reproduced or its contents disclosed in any manner whatsoever without the express written consent from Trimm, Inc. Due to continuous product development, specifications may change from those listed. Call Trimm, Inc. for information.

SCALE: NONE TOLERANCES: ±.005, ±1/64, ±.5°

DRAWN BY: W. NEWTON	DATE: 05/13/04	SIZE B	DESCRIPTION: GMT FUSE PANEL OPTIMUM VALUE 10 DUAL VOLT/POLARITY, 19", SET SCREW I/O	REV. A
		FILE CODE MKT		
		DRAWING NUMBER: 7570018200m		
PHONE 1-919-575-6100			TRIMM, INC.	PAGE: 1 OF 1