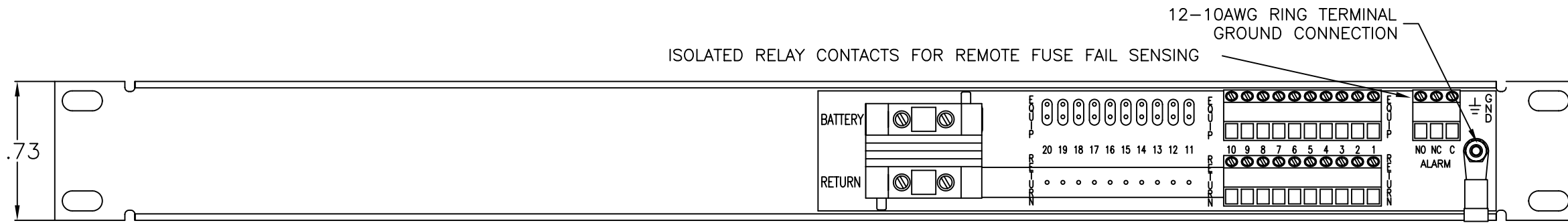
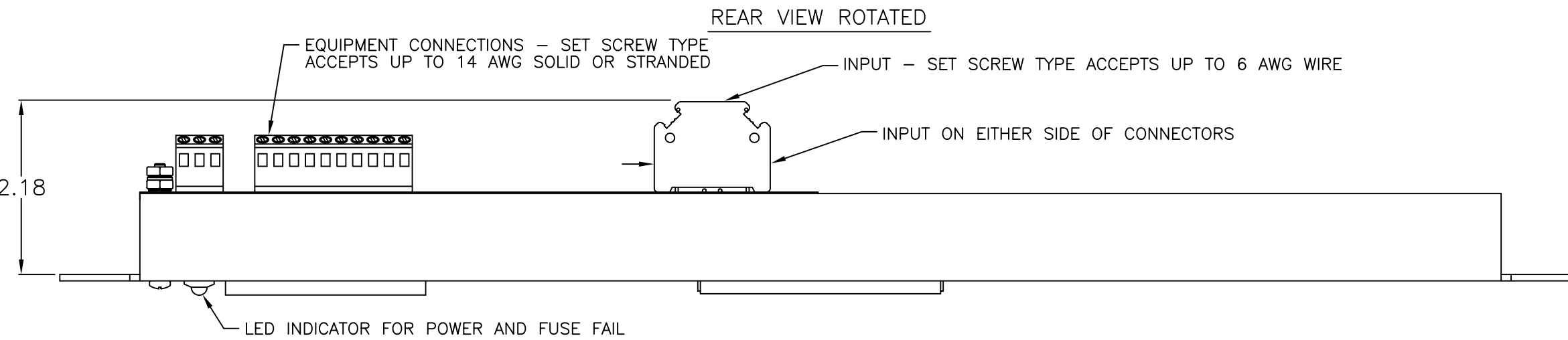


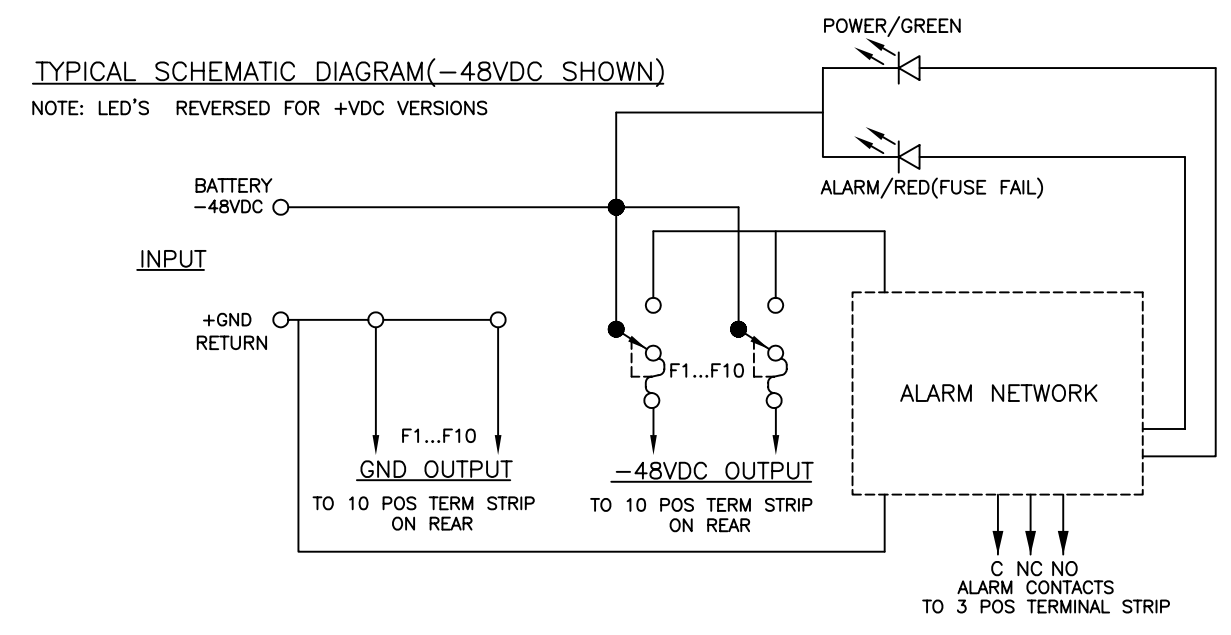
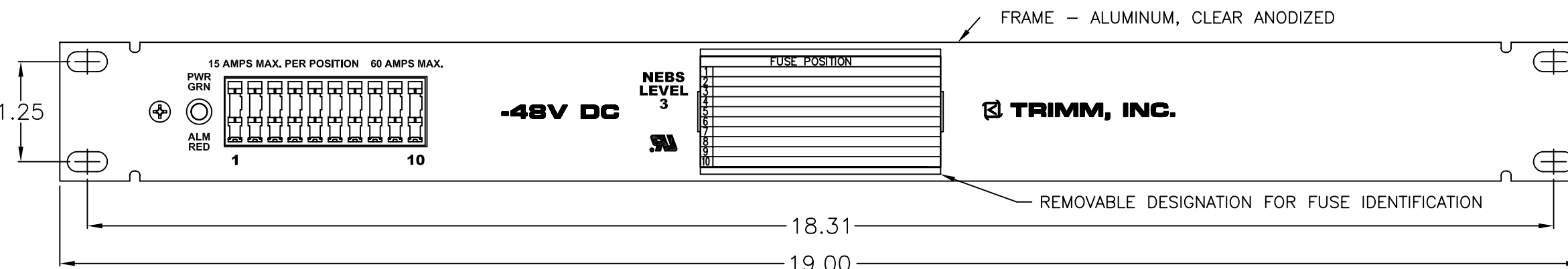
A B C D E F G H I J



PART NO.	VOLTAGE
7570018001	-48VDC
7570018002	-24VDC
7570018003	+24VDC
7570018004	+12VDC

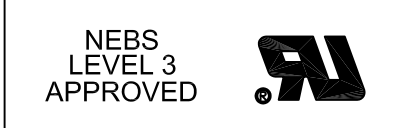


GMT FUSES	
AMPERAGE	PART NUMBER
.18A	0300097000
1/4A	0300097001
1/2A	0300097002
3/4A	0300097003
1A	0300097004
1-1/3A	0300097005
1-1/2A	0300097006
2A	0300097007
3A	0300097008
3-1/2A	0300097013
4A	0300097012
5A	0300097009
7-1/2A	0300097011
10A	0300097010
12A	0300097014
15A	0300097015
DUMMY	0300097100



- OTHER AVAILABLE FEATURES/OPTIONS:
1. 10/10, 20 AND 20/20 POSITIONS
  2. CLEAR OR BLACK ANODIZED ALUMINUM
  3. CUSTOM SILKSCREEN OR LOGOS
  4. FOR 23" RACK MOUNT ORDER ADAPTER KIT (7500116711)

TRIMM, INC.  
CONTACT INFORMATION  
407 RAILROAD ST.  
BUTNER, NC 27509  
PHONE: 800-298-7466  
FAX: 919-575-6200  
WWW.TRIMMINC.COM



The information on this document is proprietary information that is property of Trimm, Inc. and shall not be reproduced or its contents disclosed in any manner whatsoever without the express written consent from Trimm, Inc. Due to continuous product development, specifications may change from those listed. Call Trimm, Inc. for information.

SCALE: NONE TOLERANCES: ±.005, ±1/64, ±.5°

ISSUE: D 05/13/04 ECN#: 04051301 DELETED TERMINAL DESIG. CHANGED SILKSCREEN, DELETED QUAL LABEL, MADE REAR VIEW ROTATED, CHANGED ALM SCHEMATIC, UPDATED TITLE BLOCK	ISSUE: E 02/28/01 ECN#: 00110202 ADDED GROUND STUD	ISSUE: D 09/07/00 ECN#: 00090601 REMOVED .080 THICK DELETED WIRE WRAP OPTIONS	ISSUE: G 05/31/95 ECN#: 95053108 ADDED P/N TABLE ADDED NOTE TO SCHEMATIC TITLE WAS 30A MAX	ISSUE: B 01/18/95 ECN#: 95011603 ADDED SCHEMATIC	DRAWN BY: NUL	DATE: 01/12/95	SIZE: B	DESCRIPTION: GMT FUSE PANEL OPTIMUM VALUE 10 60A PER SIDE, SET SCREW IN/OUT	REV. D
PHONE 1-919-575-6100					DRAWING NUMBER: 7570018000m			PAGE: 1 OF 1	

