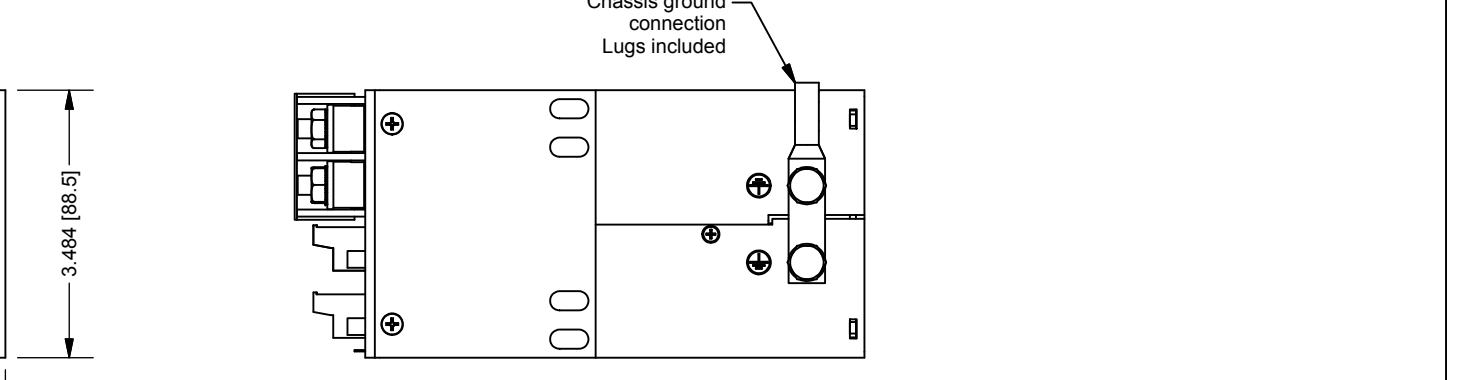
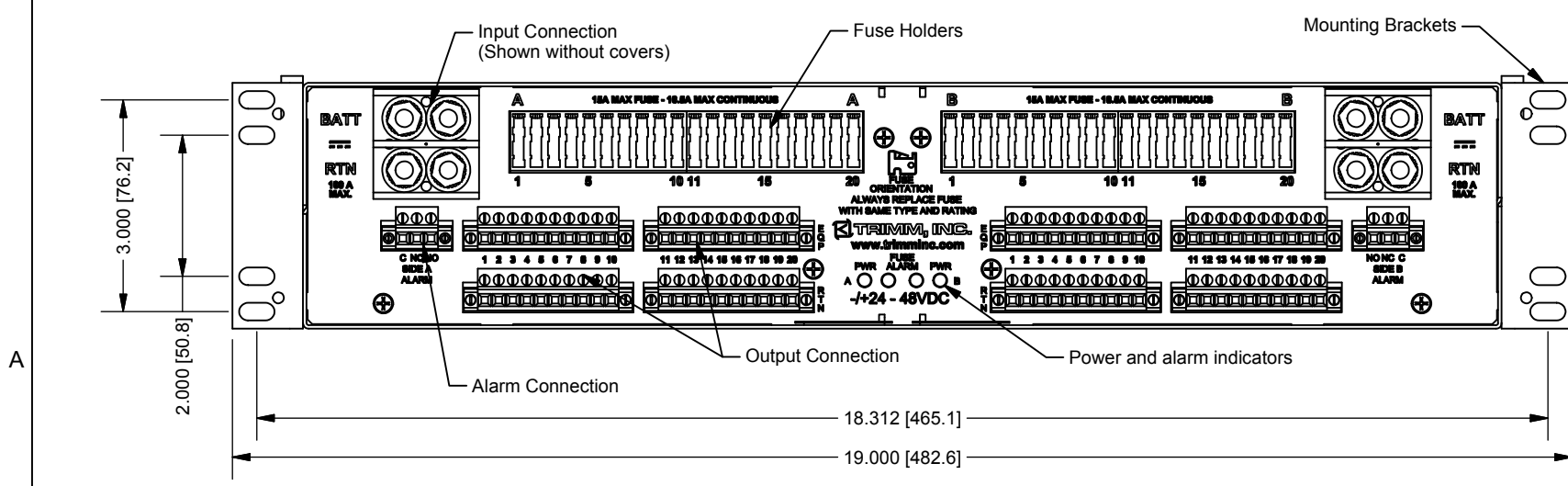


GMT FUSES	
PART NUMBER	FUSE AMPERAGE
0300097000	18/100 AMP
0300097001	1/4 AMP
0300097016	3/8 AMP
0300097002	1/2 AMP
0600097065	65/100 AMP
0300097003	3/4 AMP
0300097004	1 AMP
0300097005	1-1/3 AMP
0300097006	1-1/2 AMP
0300097007	2 AMP
0300097008	3 AMP
0300097013	3-1/2 AMP
0300097012	4 AMP
0300097009	5 AMP
0300097011	7-1/2 AMP
0300097010	10 AMP
0300097014	12 AMP
0300097015	15 AMP
0300097100	DUMMY FUSE
0300097209	GMT/X FUSE COVER

Product Specifications: 7472111001 Fuse Panel			
Mechanical	Dimensions	19" W x 3.5" H x 7.25" D	
	Rack Spaces	2 (2U)	
	Weight	4.5 Lbs. approx.	
Electrical	Input	Voltage	-/+ 24 TO 48 VDC
		Number of Buses	2
	Output	Current	100 Amps max per bus
		Interrupt Device Rating	125 Amps max.
		Fuse Rating (GMT type)	15 Amp max.
		Load Rating	10.5 Amp max. continuous
Connections	Input	Fuse Positions	20 positions per bus (40 Total)
		Connection Type	2 Hole Compression Lugs
		Wire Range	1/4" stud x 5/8" center-center spacing
	Output	Wire Range	8 to 2/0 AWG.
		Max. Terminal Width	.64" maximum
		Connection Type	Set screw type M2 phil/slot type screws
Earthing (Chassis GND)	Wire Range	12 to 22 AWG.	
	Wire Range	1/4" hole x 1" center-center spacing	
Environment	Short Term Operating Temperature	-5° C to +55° C	
	Max. Recommended Ambient	Up to +50° C	
	Storage Temperature	-40° C to +70° C	
	Relative Humidity	0-95% noncondensing	
Alarming	LED Indicators	Green LED (power), Red LED (fuse fail)	
	Alarm Capability	Form "C" contacts 1 set per bus for fuse fail	
	Connection Type	Set screw type (12 to 22 AWG.)	
Standards	Safety (Listed)	UL 60950-1, UL 1801, CSA C22.2 No. 60950-1	
		EN 60950-1, IEC 60950-1	
Telcordia (NEBS)		NEBS Level 3 Certified	

Whats included: 4 x #12-24 rack mounting screws, input connection hardware (locking nuts and washers), chassis ground lugs and hardware (bolts and lock washers).



Notes:
 1-Dimensions are shown in Inches [mm].
 2-Fuses are not included. See GMT Fuse table.
 3-#12-24 rack mounting screws, input connection fasteners, and chassis ground fasteners/lugs are included with this panel.

The information on this document is proprietary information that is property of Trimm, inc. and shall not be reproduced or its contents disclosed in any manner whatsoever without the express written consent from Trimm, Inc. Due to continuous product development, specifications may change from those listed. Call Trimm, inc. for information

TOLERANCES: -/+ .015 ON OVERALL PART SIZE, -/+ .010 FROM ANY BEND TO THE CENTERLINE OF ANY HOLE OR CUTOUT, -/+ .005 FROM CENTERLINE TO CENTERLINE ON ANY HOLE OR CUTOUT

APPROVED BY:	DRAWN BY: BRIAN BURCH	DATE: 05/18/07	SIZE: B	DESCRIPTION: FUSE PANEL TFA 20/20 -/+24 TO 48VDC STUD IN/SS OUT BLACK	REV. B
			FILE CODE 747m	DRAWING NUMBER: 7472111001	PAGE: 1
			TRIMM, INC. 407 RAILROAD ST. BUTNER, NC. PHONE: 1-800-298-7466 FAX: 1-919-575-6200		