



Specifications

Voltage Rating
80 VDC

Interrupt Rating
600 Amps

Manufacturer
Airpax®

Benefits

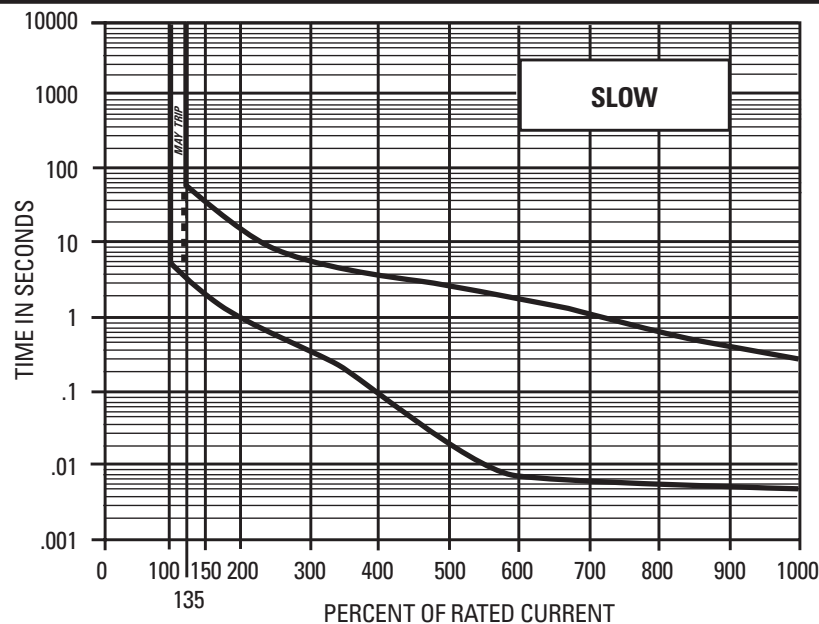
- Guaranteed to work with Trimm Optimum Value Breaker panels
- Easily replace breakers or add new positions to your panel with the tab connections.
- Integrated handle guards protect the rockers from accidental operation.
- Snap-acting breaker assures immediate opening and closing of the contacts increasing the reliability.

Used In Trimm Panels

- 907 Series Optimum Value Breaker Panels

Ordering Guide

Part Number	Description
030017750A	1/2 Amp Circuit Breaker
030017750B	1 Amp Circuit Breaker
030017750C	2 Amp Circuit Breaker
030017750D	3 Amp Circuit Breaker
030017750E	5 Amp Circuit Breaker
030017750F	7-1/2 Amp Circuit Breaker
030017750G	10 Amp Circuit Breaker
030017750H	15 Amp Circuit Breaker
030017750I	20 Amp Circuit Breaker
030017750J	25 Amp Circuit Breaker
030017750K	30 Amp Circuit Breaker
9000200001	Blanking Plug for OV Circuit Breaker Panel



Time Curve

OV Breakers

How to Configure Trimm Optimum Value Breaker Panels

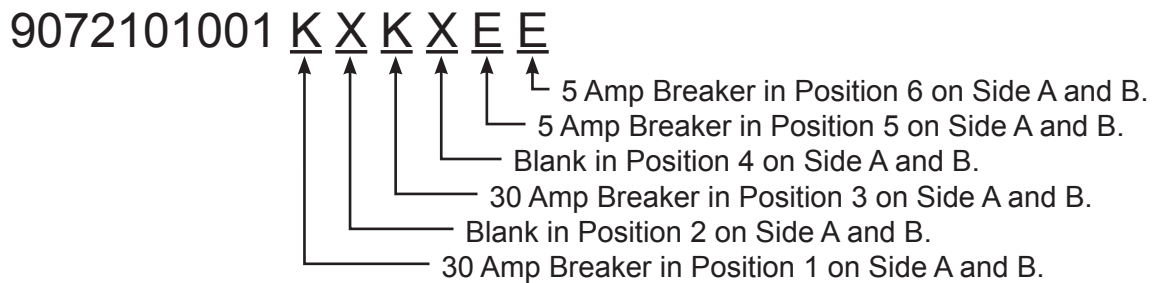
It is easy to order Trimm Optimum Value Breaker Panels Factory Configured.

Take the base panel part number and add the last letter from the breakers you need.

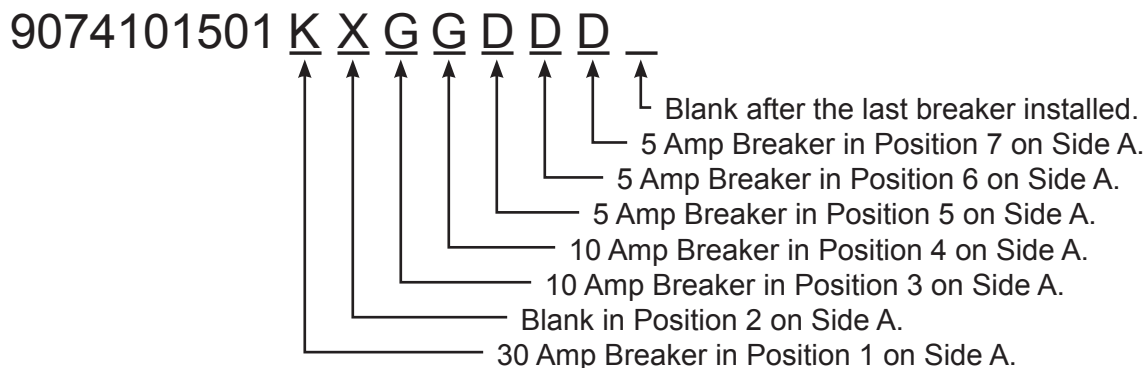
Rules:

- 1) On panels with two sides that can be configured the sides will be identical. So if there is a 30 Amp breaker in position one on Side A, there will be one on Side B too.
- 2) Versa-Slots cannot be factory configured.
- 3) All non-configured positions are factory filled with blanks.
- 4) Blanks in between breakers are indicated with an "X". If there are no breaker letters in the last configurable positions they will be filled with blanks.

Example 1: You want to configure a 9072101001 with two 30A breakers, blanks on each side, and the last two positions filled with 5A breakers.



Example 2: You want to configure a 9074101501 with one 30A breaker, one blank, two 10A breakers, and three 3A breakers. You will order the Versa-Slot positions on separate line items.



Configurable Optimum Value Breaker Panels (other voltages available)

Part Number	Side A	Side B	Width
9075101001 _____	8 Configurable Positions	None	19"
9071101501 _____	6 Configurable Positions	2 Versa-Slots (Cannot be configured)	19"
9072101001 _____	6 Configurable Positions	6 Configured Positions (same as Side A)	19"
9073101001 _____	8 Configurable Positions	8 Configured Positions (same as Side A)	23"
9074101501 _____	8 Configurable Positions	2 Versa-Slots (Cannot be configured)	23"

NOTES