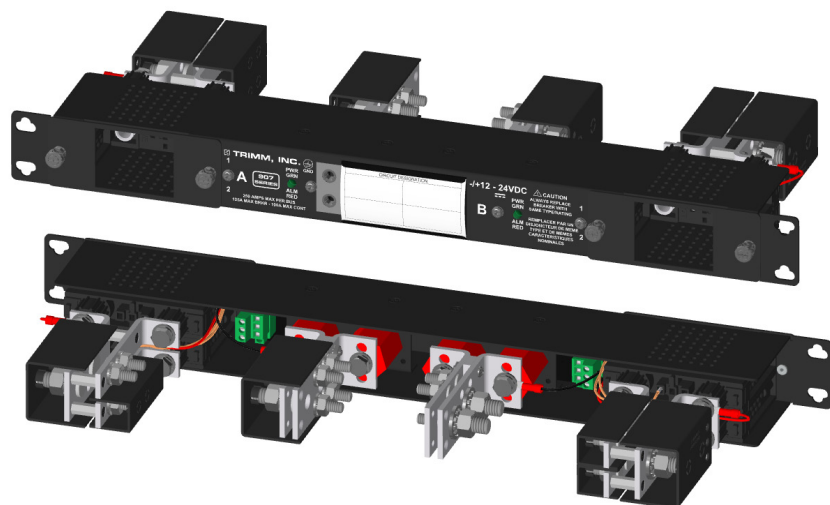


# 9076101502

## 0V DC Breaker Panel

### 2/2 125A Versa-Slots



**Positions Per Bus**  
**2 Versa-Slots**

**Max Per Position**  
**125 Amps**

**Bus Capacity**  
**250 Amps**

### GENERAL

<b>Dimensions</b>	19.00" W x 1.75" H x 7.125" D
<b>Rack Space</b>	1U
<b>Weight</b>	7.0 lbs.
<b>Mounting</b>	19" EIA (23" brackets available)
<b>Mtg. Pos.</b>	Flush
<b>Finish</b>	Black Textured Powder Coat

### ELECTRICAL

<b>Input</b>	Nominal Voltage	-/+12-24V DC
	Voltage Range	-/+10-30V DC
	Number of Buses	2
	Intr. Device Rating	300 Amps
<b>Output</b>	Max Rating by Type	TLS Fuse - 125 Amp TPC Fuse - 125 Amp TPS Fuse - 70 Amp Single Pole Breaker - 100A Dual Pole Breaker - 200A
	Continous Load Rating	TLS Fuse - 100 Amp TPC Fuse - 100 Amp TPS Fuse - 56 Amp Single Pole Breaker - 80A Dual Pole Breaker - 160A

### ALARMING

<b>Indicators</b>	Bi-color LED Green (Power) Red (Alarm)
<b>Function</b>	Form C relay contacts for remote fuse/breaker fail indication
<b>Conn. Type</b>	Set Screw Output (12 to 22 AWG)
<b>Rating</b>	DC 30W/AC 50VA

### CONNECTIONS

<b>Input</b>	2 Hole Lug	3/8" stud x 1" spacing
	Wire Range	Up to 750 kcmil
	Max. Terminal Width	1.250"
	Tightening Torque	75 in-lb (19.8 Nm)
<b>Output</b>	2 Hole Lug	1/4" stud x 5/8" spacing
	Wire Range	Up to 2/0 AWG
	Max. Terminal Width	0.625"
	Tightening Torque	24 in-lb (2.7 Nm)
<b>Ground Bus</b>	2 Hole Lug	1/4" stud x 5/8" spacing
	Wire Range	4 AWG lug supplied with panel

### ENVIRONMENT

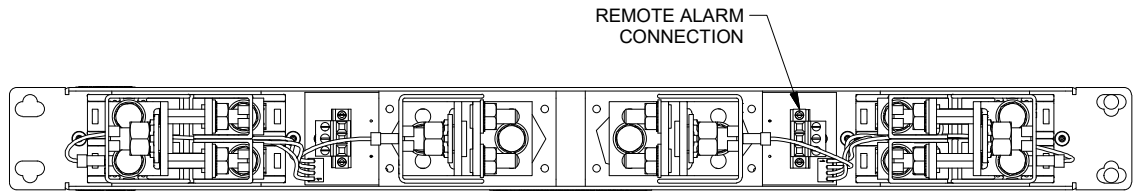
<b>Short Term Op Temp</b>	-40° C to +70° C
<b>Ambient</b>	Up to 65° C
<b>Store Temp</b>	-40° C to +70° C
<b>Humidity</b>	0 to 95% non-condensing
<b>Dissipation</b>	48 Watts max

### STANDARDS

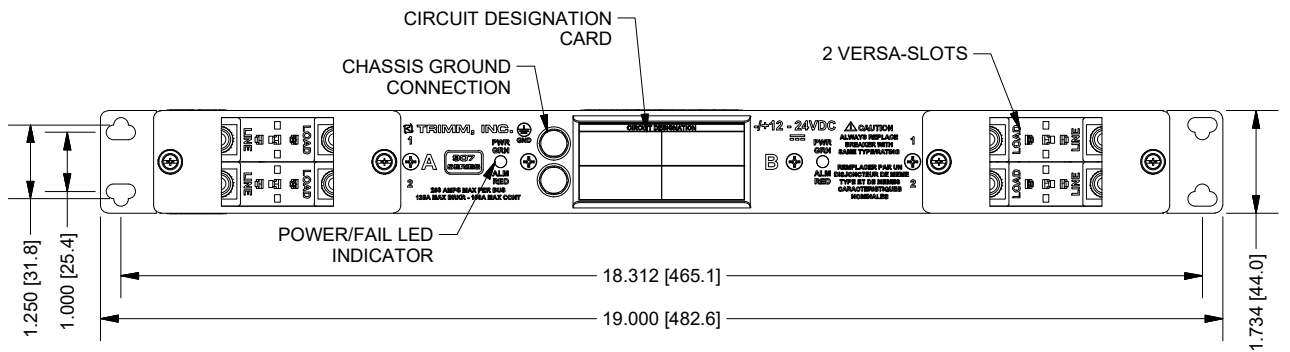
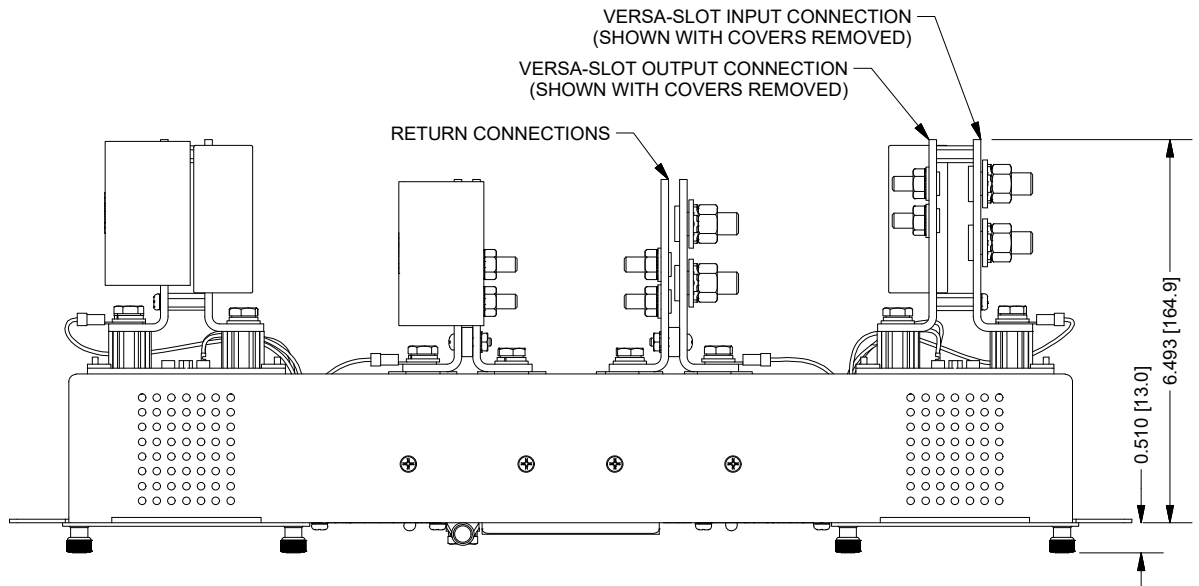
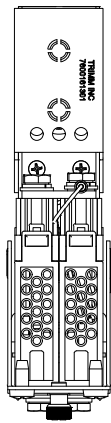
<b>Safety</b> (Recognized)	UL 60950-1/UL 1801/CSA C22.2 No.60950-1/EN 60950-1/IEC 60950-1
<b>Telcordia</b>	NEBS Level 3 (GR-63/GR-1089) and GR-3108 Class 3 (w/o salt fog testing)

# 2/2 Position OV Breaker Panel Using Versa-Slots, Stud Inputs

## 9076101502



REAR VIEW ROTATED



### NOTES

Go to [www.triminc.com](http://www.triminc.com) for a complete list of the DC circuit breakers, TPS, TLS, or TPC fuses to order with this panel.