

# 7873001211-A

## 6/5 Versatile Panel Micro-BDFB, 12 TFD



Positions Per Bus  
**6 Versa-Slot - 5 GMT**

Max Per Position  
**125A Versa-Slot  
15A GMT**

Bus Capacity  
**425 Amps**

### GENERAL

Dimensions	19.00" W x 5.25" H x 10.79" D
Rack Space	3U
Weight	25.0 lbs.
Mounting	Universal 19" or 23", WECO or EIA
Mtg. Pos.	Flush, 3.5" Offset
Finish	Black Textured Powder Coat
Monitoring	Local voltage & amperage on Bus Display Switch
Configured	*12 TFD Holders fill all Versa-Slots.

### ELECTRICAL

Input	Nominal Voltage	-/+24-48V DC
	Voltage Range	-/+19-60V DC
	Number of Buses	2
	Intr. Device Rating	500 Amps
Output	Max Rating by Type	GMT Fuse - 15 Amp TLS-125A   TPS-70A *TPC-125A *Single Pole Breaker - 100A *Dual Pole Breaker - 150A
	Cont. Load Rating	GMT Fuse - 10.5 Amp TLS-100A   TPS-56A *TPC-125A *Single Pole Breaker - 80A *Dual Pole Breaker - 120A

### ALARMING

Indicators	Green (Power)/Red (Alarm), Bus Display Switch
Function	Form C relay contact for remote fuse/breaker fail and power fail indication. The Bus Display Switch shows the bus voltage/amperage, warns if a custom threshold is passed, and provides status.
Conn Type	Solderless Wire Wrap (18 to 30 AWG)
Rating	DC 30W/AC 50VA

### CONNECTIONS

Input	2 Hole Lug	3/8" stud x 1" spacing
	Wire Range	Up to 750 kcmil
	Max. Terminal Width	1.625"
	Tightening Torque	175 in-lb (19.8 Nm)
Output	Versa-Slot Outputs: 2 Hole Comp. Lug GMT Outputs: Barrier Strip	Versa-Slot Positions: 1/4" stud x 5/8" spacing GMT - #6 Sems Screw
	Wire Range	Versa-Slot - Up to 2/0 AWG GMT - 10 to 22 AWG
	Max. Terminal Width	Versa-Slot - 0.640" GMT Fuse - 0.312"
	Tightening Torque	Versa-Slot: 40 in-lb (4.5 Nm) GMT: 10 in-lb (1.1 Nm)
Ground Bus	2 Hole Lug	1/4" stud x 5/8" spacing
	Wire Range	Up to 2 AWG

### ENVIRONMENT

Op. Temp.	-40° C to +65° C
Ambient	Up to 65° C
Store Temp	-40° C to +70° C
Humidity	0 to 95% non-condensing
Dissipation	109 Watts max

### STANDARDS

Safety <small>(Listed)</small>	UL 60950-1/UL 1801/CSA C22.2 No.60950-1/EN 60950-1/IEC 60950-1
Telcordia	NEBS Level 3 (GR-63/GR-1089)

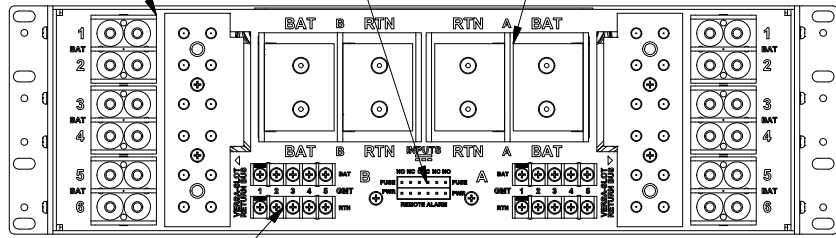
# Versatile PDU 6/6 Versa-Slot, 5/5 GMT w/ monitor & 12 TFD

## 7873001211-A

VERSASLOT OUTPUT CONNECTION (SHOWN WITH COVERS REMOVED) "RTN" STAIRSTEPPED OVER "BAT"

REMOTE ALARM CONNECTION

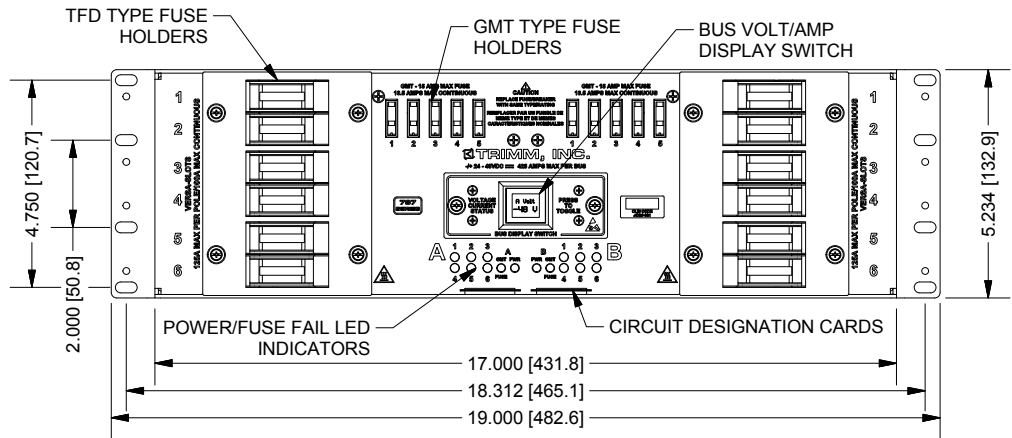
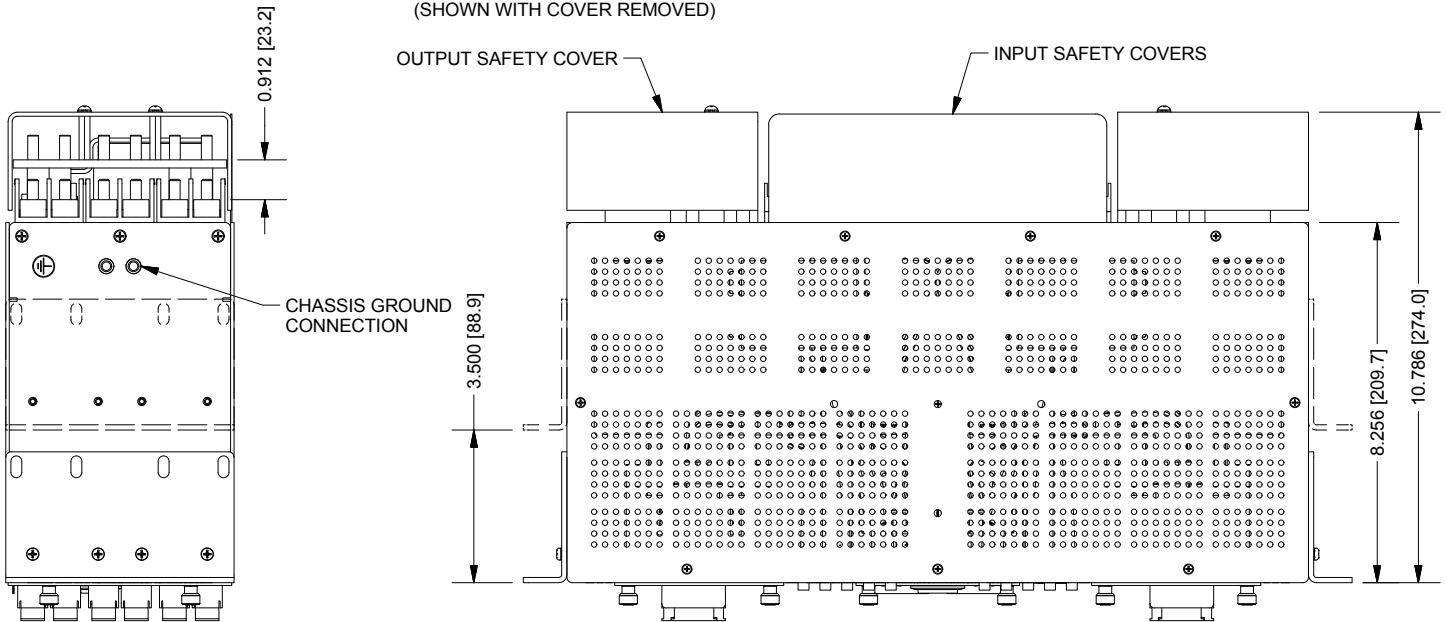
INPUT CONNECTION (SHOWN WITH COVER REMOVED)



GMT OUTPUT CONNECTION (SHOWN WITH COVER REMOVED)

OUTPUT SAFETY COVER

INPUT SAFETY COVERS



### NOTES

CLEI Code: PWPYADHRRRA. \*This panel has 6 TFD Holders installed in each side. This fills all available Versa-Slots. To use other fuse types or breakers the TFD Holders must be removed. Go to [www.trimm.com](http://www.trimm.com) for the fuses to use with this panel. BDFB = Battery Distribution Fuse Bay. BDCBB = Battery Distribution Circuit Breaker Bay. BDFB's are cabinets that are the primary DC distribution point. Micro-BDFB's are shelf equipment for high powered applications in distributed power topologies.